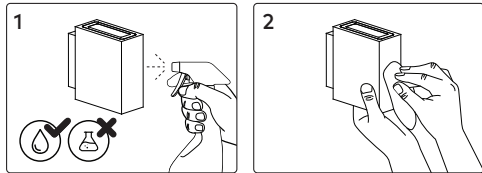


Cleaning

Warning: Before cleaning, disconnect from mains supply and allow luminaire to cool.



Disposal

Ensure correct disposal of this product (waste electrical and electronic equipment).



Corrosion Protection

It is important to note that care must be taken during installation or maintenance to ensure that the surface of the luminaire is not damaged. Any damage, which is exposed to moisture will result in corrosion occurring.

Please also note that any chemical applications on the luminaire or chemical contact via installation will cause corrosion of the surface of the luminaire and will void the warranty.

Ambient Conditions

Recommended to install in an ambient temperature <35°C.



Astro Fixed Two

WALL LIGHT

Base Codes	Fixed Two ASTW0007	Power	7 Watts
	Class I 220-240V - 50/60Hz	IP Rating	65
	Material Aluminium	Install Person/s	1x

CAUTION – This product must be installed by a qualified installer
Please read instruction manual carefully before installing luminaire

Surge Protection
For comprehensive protection of a luminaire against electrical surges, surge protection shall be installed on the mains supply where required to protect luminaires and drivers from transient voltage damage.

For warranty information visit unios.com/warranty

Please read these installation instructions carefully before installing this product. This product must be installed and maintained by a suitably qualified person/s in compliance with the latest applicable regulations and relevant legislation. Unios does not warrant any claim based on defects or damage caused by misuse, improper installation, improper operation and/or modifications carried out by the purchaser or third parties. This product shall not be used as a 'working light' during construction. This will result in the warranty of the product to be void. For warranty duration, please refer to the data sheet.

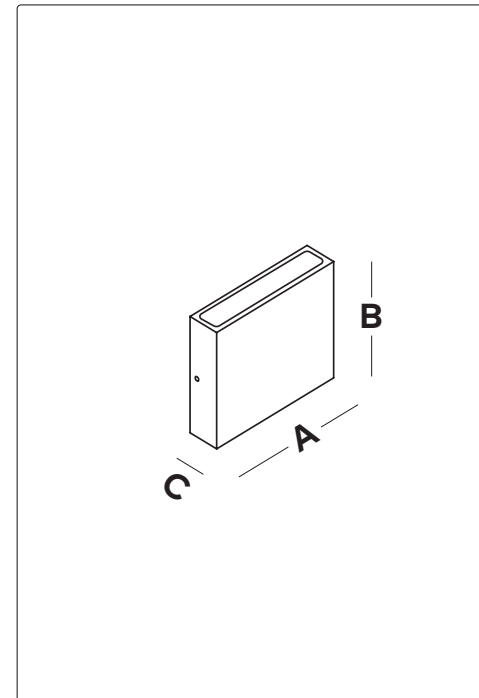
Sizing Variations

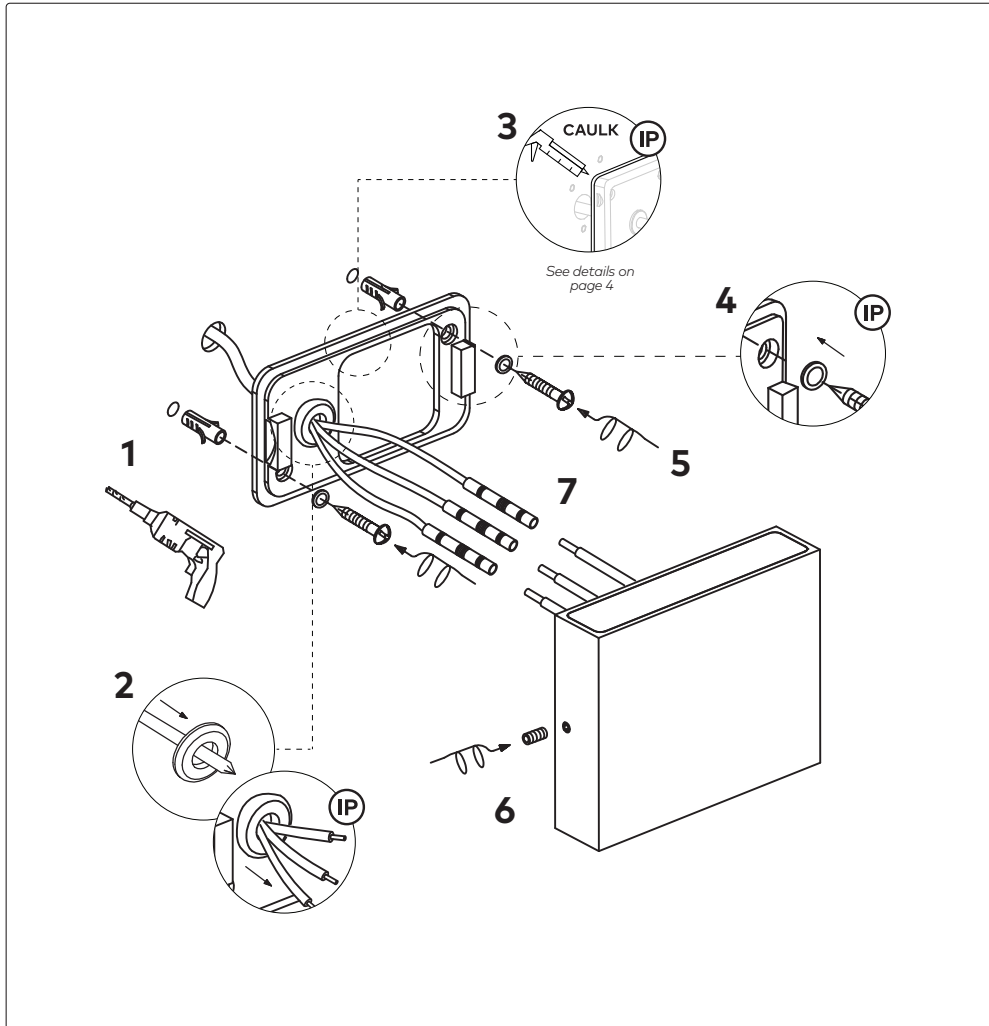
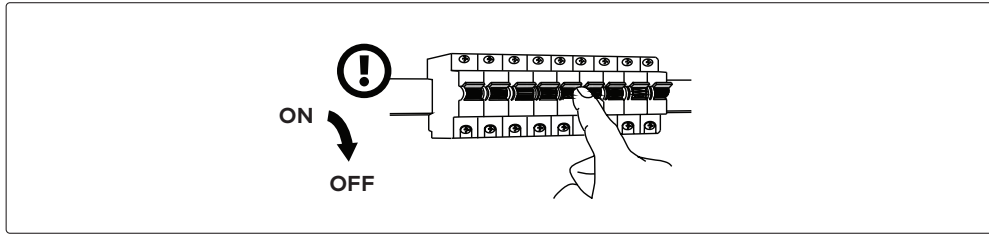
Product Code	A	B	C
ASTW0007	110	90	25

All measurements are in millimetres.

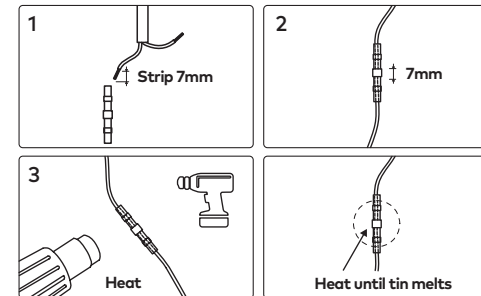
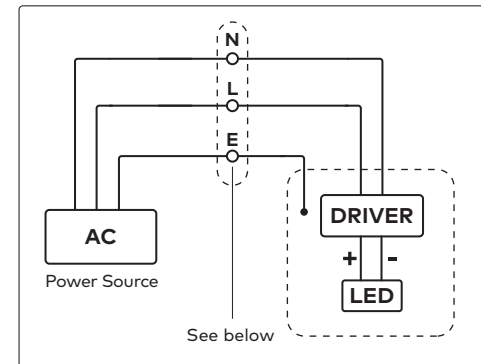
Parts

 1x Allen Key	 2x Wall Plugs	 2x Wall Screws
 2x Seal Washers	 3x Heatshrink Solder Joiners	





Wiring



Driver Compatibility

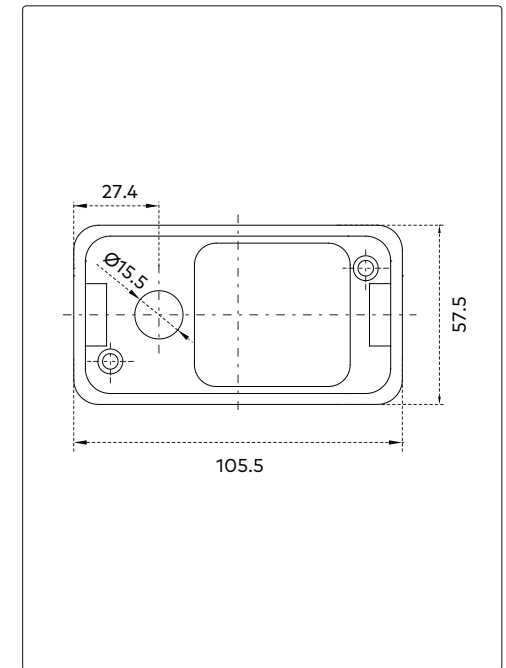
Product Code	Output Power	Driving Current	Forward Voltage
ASTW0007	7W	500mA	11-13V

Dimming

This luminaire can be dimmed. Unios® recommends a phase-cut dimmer optimised for LED technology. For non-standard configurations refer to driver data sheet.

For full list of compatible drivers, see unios.com

Mounting Plate



All measurements are in millimetres.

IP65/66 Installations

To ensure a complete seal around the mounting area, an exterior grade caulk must be used around the perimeter of the back of the mounting plate. **Do not caulk bottom of mounting plate to ensure sufficient drainage.**

