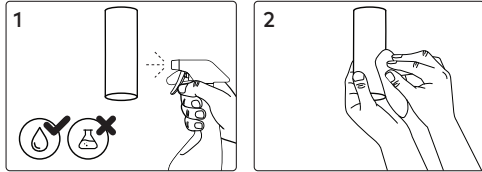


Cleaning

Warning: Before cleaning, disconnect from mains supply and allow luminaire to cool.



Disposal

Ensure correct disposal of this product (waste electrical and electronic equipment)










Corrosion Protection


It is important to note that care must be taken during installation or maintenance to ensure that the surface of the luminaire is not damaged. Any damage, which is exposed to moisture will result in corrosion occurring.


Please also note that any chemical applications on the luminaire or chemical contact via installation will cause corrosion of the surface of the luminaire and will void the warranty.

Axis

SERIES  

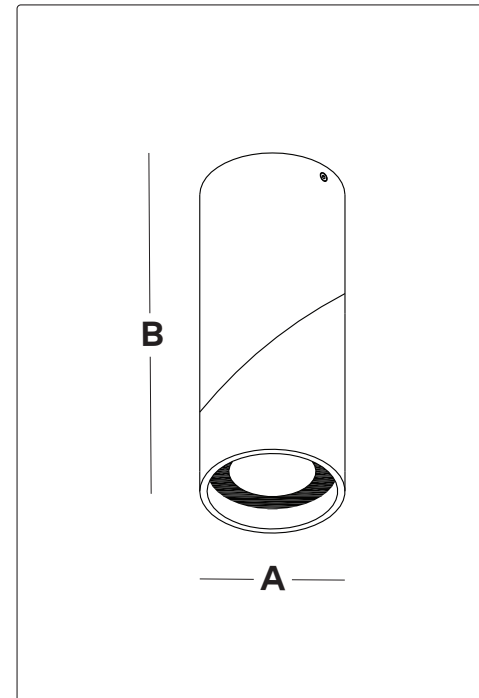
Base Codes	Surface Mounted AS97XXXX	1C Track AT971XXX	3C Track AT973XXX	Power 7 15 26 Watts
	Class I 220–240V – 50/60Hz	IP Rating 65, 20	Material Aluminium	Install Person/s 1x 
    				

 **CAUTION – This product must be installed by a qualified installer**
Please read instruction manual carefully before installing luminaire

 **Surge Protection**
For comprehensive protection of a luminaire against electrical surges, surge protection shall be installed on the mains supply where required to protect luminaires and drivers from transient voltage damage.

For warranty information visit unios.com/warranty

Please read these installation instructions carefully before installing this luminaire. This product must be installed and maintained by a suitably qualified person/s in compliance with the latest applicable regulations and relevant legislation. Unios does not warrant any claim based on defects or damage caused by misuse, improper installation, improper operation and/or modifications carried out by the purchaser or third parties. This luminaire will not be used as a 'Working light' during construction. This will result in the warranty of the luminaire to be void. For warranty duration, please refer to the data sheet.



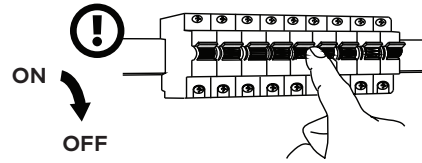
Sizing Variations

Product Code	A	B
Surface Mounted (IP65)		
AS970007	60	147
AS970015	80	184
AS970026	110	240
Track (IP20)		
AT971007/3007	60	147
AT971015/3015	80	184
AT971026/3026	110	240

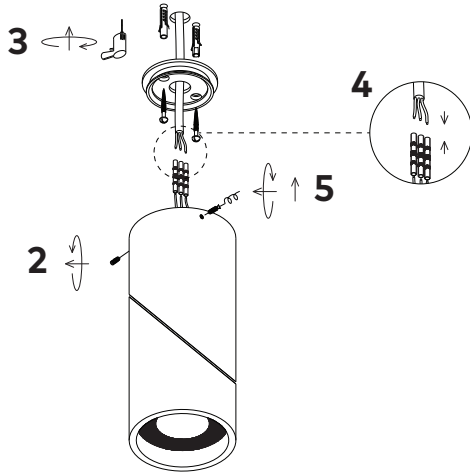
Track model comes with a 1C or 3C Track Adaptor.
All measurements are in millimetres.



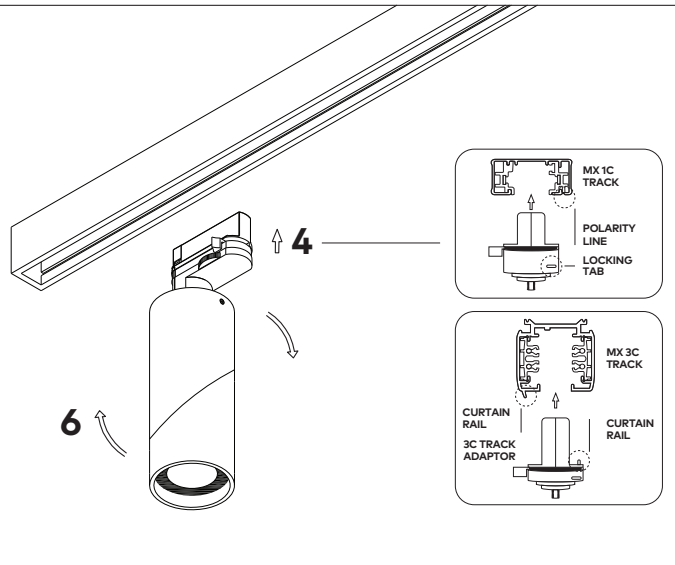
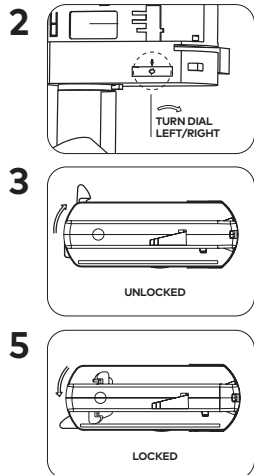
1



Surface Mounted
AS97XXXX

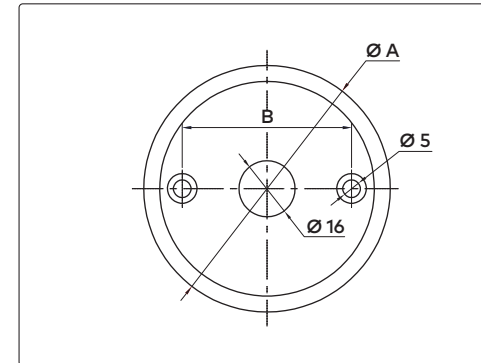


Track
AT971XXX/3XXX



Mounting Plate

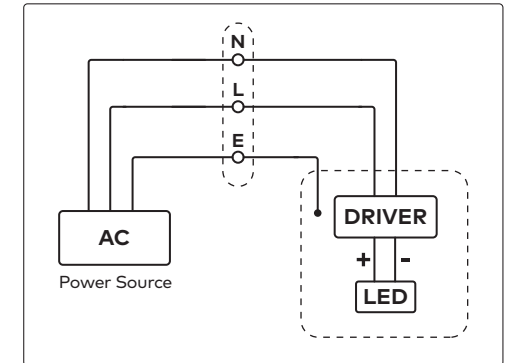
Surface mounted models only



Product Code	A	B
AS970007	56	34
AS970015	70	48
AS970026	100	70

All measurements are in millimetres.

Wiring



Dimming

This luminaire can be dimmed. Unios® recommends a phase-cut dimmer or DALI solution optimised for LED technology.

For full list of compatible drivers, see unios.com

Track Compatibility

Track Adaptor	MX1	MX3	MX5
Single Circuit (Phase-Cut)	●	○	○
Three Circuit (Phase-Cut)	○	●	○
Three Circuit (DALI)	○	○	●
BasicDIM Wireless (Bluetooth)	○	●	●

Refer to the MX Track Instruction Manual Sheet for track wiring.

