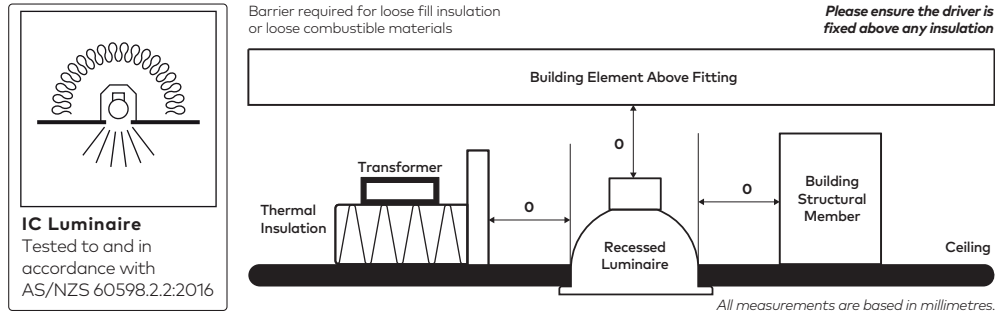


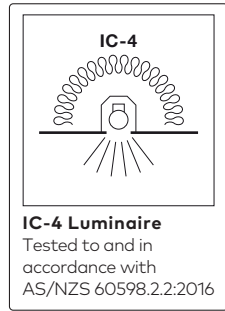
Minimum clearance for luminaire

ⓘ **Risk of Fire** – Required clearance from structure members and building elements. Details below:



IC Luminaire
Tested to and in accordance with AS/NZS 60598.2.2:2016

IC-4 Model



IC-4 Luminaire
Tested to and in accordance with AS/NZS 60598.2.2:2016

Product Code
PNLIO312
PNLIO606
PNLIO612

Additional Accessories

Plaster Kit
(PNPKXXXX)

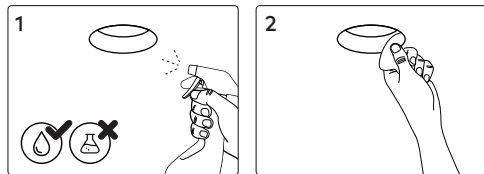
Surface Mount Kit
(PNSMXXXX)

2M Suspension Kit
(PNPE2000.SS)

4x Seismic Lanyard
(SRO01)

Cleaning

Warning: Before cleaning, disconnect from mains supply and allow luminaire to cool.



Disposal

Ensure correct disposal of this product (waste electrical and electronic equipment)



Diamond

PANEL LIGHT

Base Codes	300x600	300x1200	600x600	600x1200	Power 30 - 72 Watts
	PNLX0306	PNLX0312	PNLX0606	PNLX0612	
	Class II 220-240V – 50/60Hz	IP Rating 20 44	Material Aluminium	Install Person/s 1	

ⓘ **CAUTION** – This product must be installed by a qualified installer
Please read instruction manual carefully before installing luminaire

Surge Protection
For comprehensive protection of a luminaire against electrical surges, surge protection shall be installed on the mains supply where required to protect luminaires and drivers from transient voltage damage.

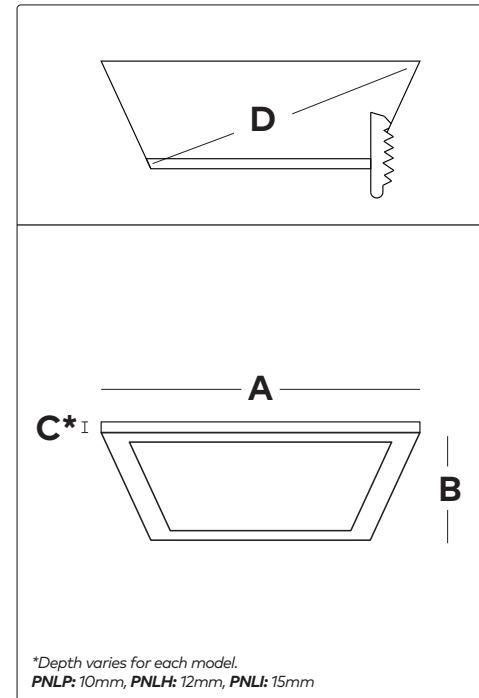
For warranty information visit unios.com/warranty

Please read these installation instructions carefully before installing this luminaire. This product must be installed and maintained by a suitably qualified person/s in compliance with the latest applicable regulations and relevant legislation.

Unios does not warrant any claim based on defects or damage caused by misuse, improper installation, improper operation and/or modifications carried out by the purchaser or third parties. This luminaire will not be used as a 'Working light' during construction. This will result in the warranty of the luminaire to be void. For warranty duration, please refer to the data sheet.

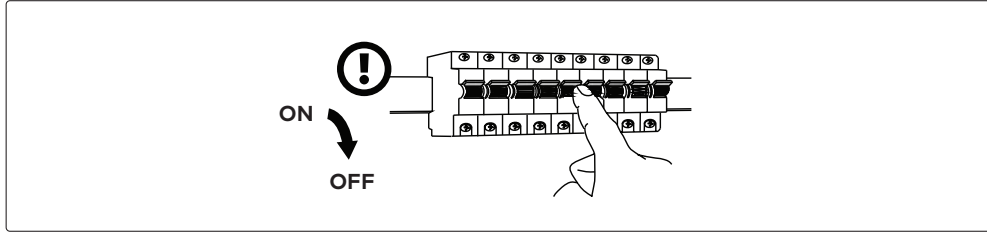
Sizing Variations

Product Code	A	B	C	D
Luminaire				
PNLX0306	595	295	10/12/15	-
PNLX0312	1195	295	10/12/15	-
PNLX0606	595	595	10/12/15	-
PNLX0612	1195	595	10/12/15	-
Plaster Kit <small>Supplied as an additional accessory</small>				
PNPK0306	626	326	41*	614x314
PNPK0312	1226	326	41*	1214x314
PNPK0606	626	626	41*	614x614
PNPK0612	1226	626	41*	1214x614
Surface Mount Kit <small>Supplied as an additional accessory</small>				
PNSM0306	600	300	50	-
PNSM0312	1200	300	50	-
PNSM0606	600	600	50	-
PNSM0612	1200	600	50	-



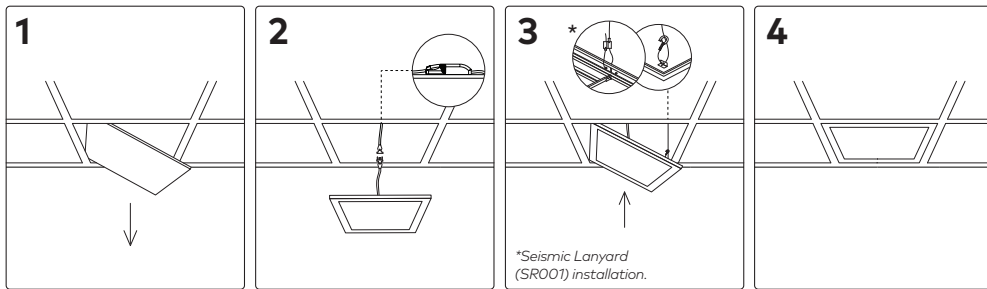
All measurements are in millimetres.
*Includes height of spring clips.





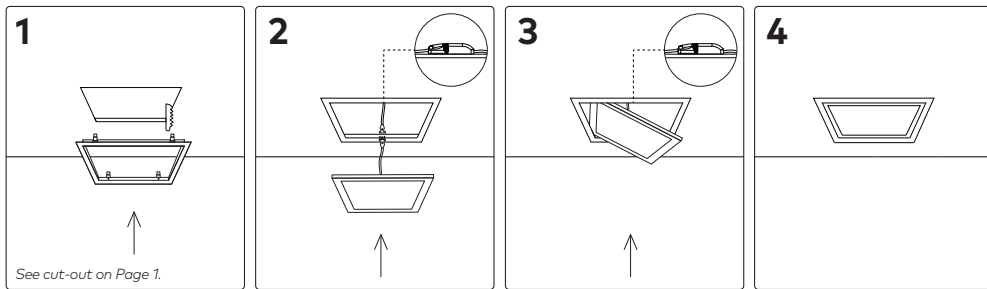
T-Bar PNLXXXX

Standard installation



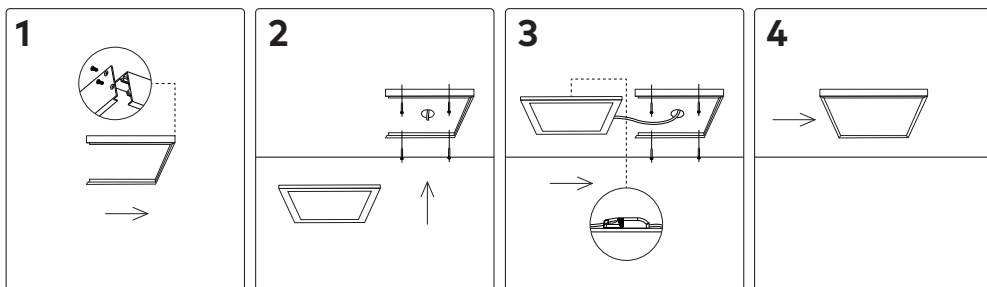
Plaster Kit PNPXXXX

Plaster Kit is supplied as an additional accessory

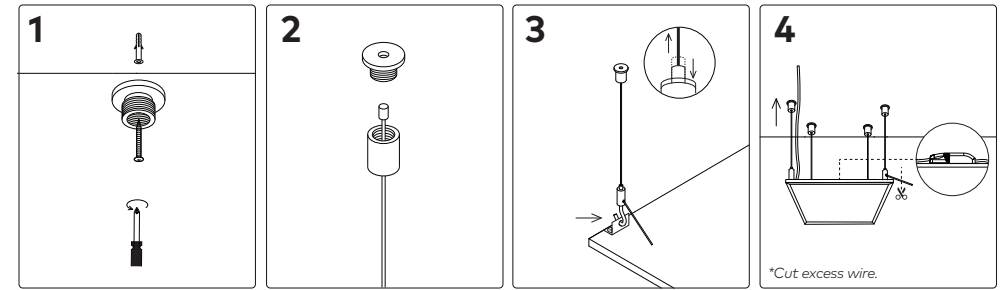


Surface Mount Kit PNSMXXXX

Surface Mount Kit is supplied as an additional accessory



Suspension Kit PNPEXXXX



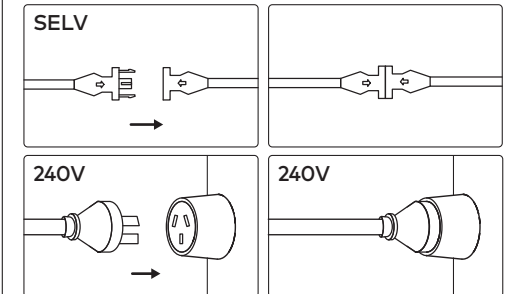
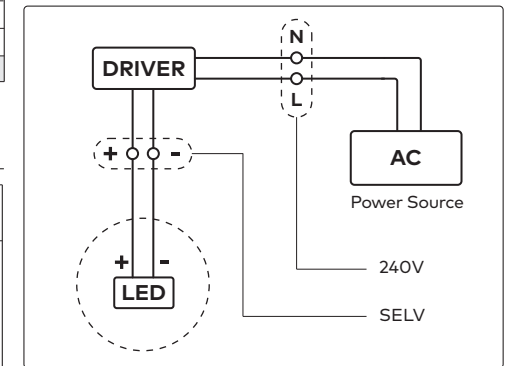
Suspension Wires Required				
	300x600	300x1200	600x600	600x1200
PNLP	4	4	4	6
PNLH		4	4	6
PNLI		4	4	

Suspension Kit is supplied as an additional accessory.

Luminaire Compatibility

Product Code	Output Power	Driving Current	Forward Voltage
PNLP0306	26W	750mA	30-40V
PNLP0312	27W	750mA	
	35W	1000mA	
PNLP0606	27W	750mA	
	35W	1000mA	
PNLP0612	43W	1300mA	
PNLH0312	17W	500mA	
	25W	750mA	
PNLH0606	17W	500mA	
	25W	750mA	
PNLH0612	25W	750mA	
	43W	1300mA	
PNLI0312	17W	500mA	
	25W	750mA	
	33W	1000mA	
PNLI0606	17W	500mA	
	25W	750mA	
	33W	1000mA	

Wiring



Dimming

For dimming capabilities, luminaire must be paired with dimmable driver. Please refer to driver's instructions for suitable systems.

