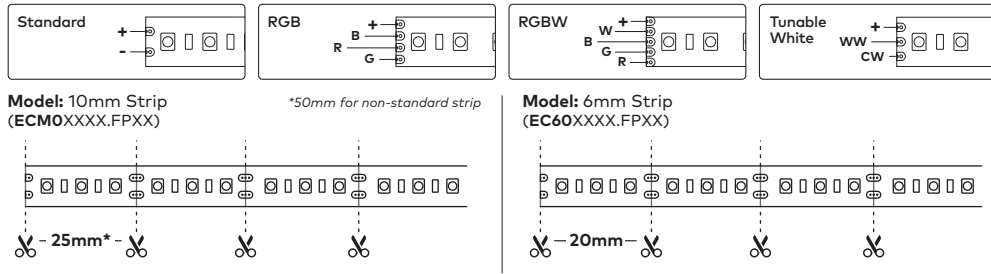
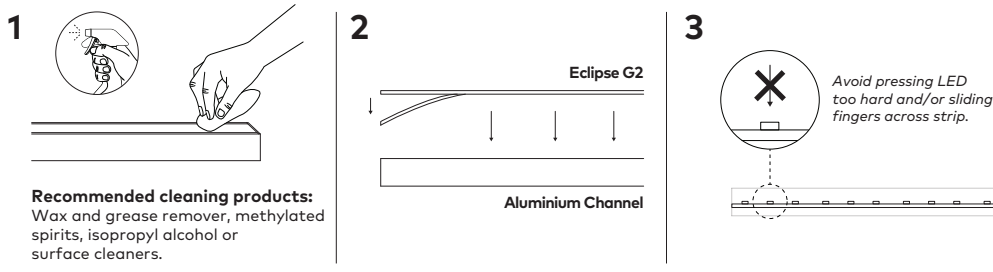


Cutting Guide



Strip Mounting

IMPORTANT: Refer to ESD Protection Section located on page 1 before mounting strip.



Parts



Disposal

Ensure correct disposal of this product (waste electrical and electronic equipment).



Corrosion Protection

It is important to note that care must be taken during installation or maintenance to ensure that the surface of the luminaire is not damaged. Any damage, which is exposed to moisture will result in corrosion occurring.

Please also note that any chemical applications on the luminaire or chemical contact via installation will cause corrosion of the surface of the luminaire and will void the warranty.

Ambient Conditions

Recommended to install in an ambient temperature <35°C.



Eclipse G2 Legacy

LINEAR SERIES

Base Codes	10mm Strip ECM0XXXX	6mm Strip EC60XXXX	Legacy LS18 -LS18XX.XX	Legacy LR25 -LR25XX.XX	Power 5 - 15 Watts
	Class III 24V DC	IP Rating 20	Material Aluminium	Install Person/s 1-2	

CAUTION – This product must be installed by a qualified installer
Please read instruction manual carefully before installing luminaire

Surge Protection
For comprehensive protection of a luminaire against electrical surges, surge protection shall be installed on the mains supply where required to protect luminaires and drivers from transient voltage damage.

For warranty information visit unios.com/warranty

Please read these installation instructions carefully before installing this product. This product must be installed and maintained by a suitably qualified person/s in compliance with the latest applicable regulations and relevant legislation. Unios does not warrant any claim based on defects or damage caused by misuse, improper installation, improper operation and/or modifications carried out by the purchaser or third parties. This product shall not be used as a 'working light' during construction. This will result in the warranty of the product to be void. For warranty duration, please refer to the data sheet.

ESD Protection

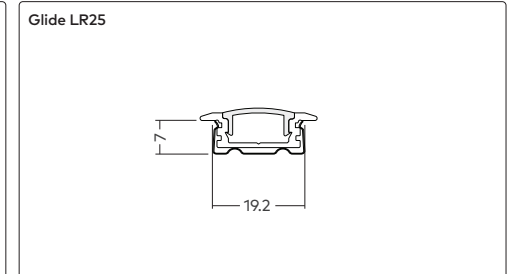
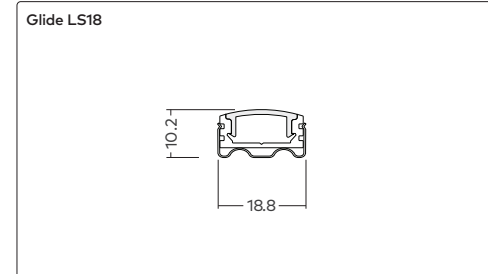
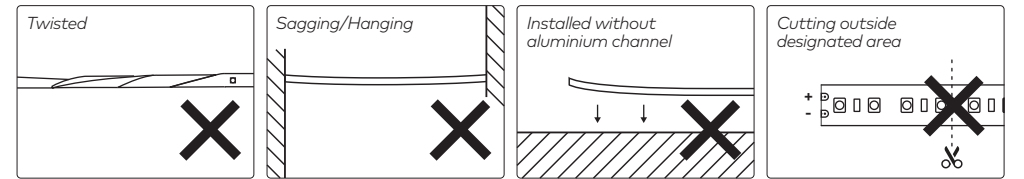
When Handling this product, care must be taken so that the LED strip is not damaged. Damage due to inappropriate handling is not covered by warranty.

The following precautions **must** be taken:

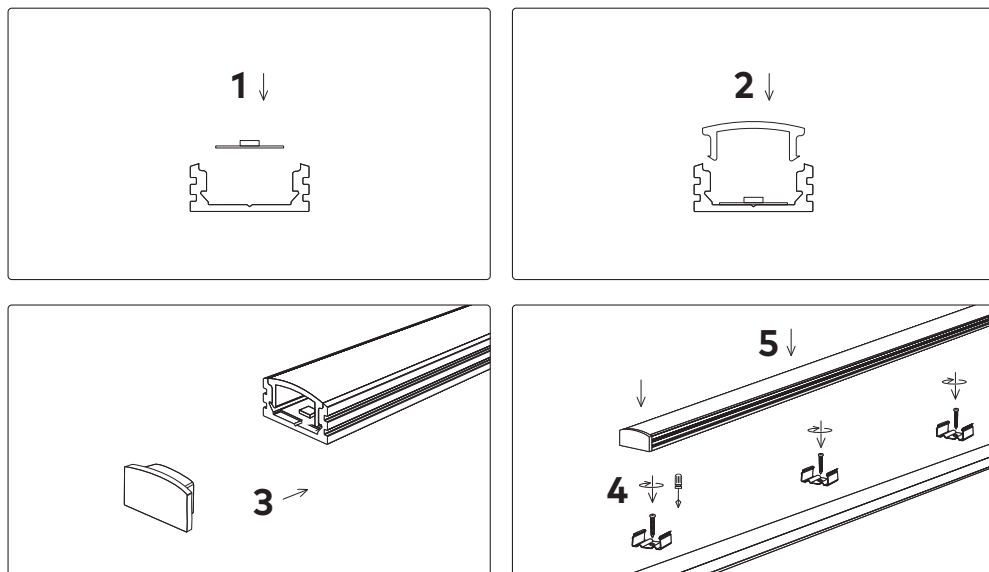
- Ensure device is switched off and disconnected from power supply.
- During assembly/disassembly, care must be taken during handling of LED strip.
- Always ensure to discharge yourself of all charge by touching a grounded bare metal surface or approved anti-static mat before working on device.



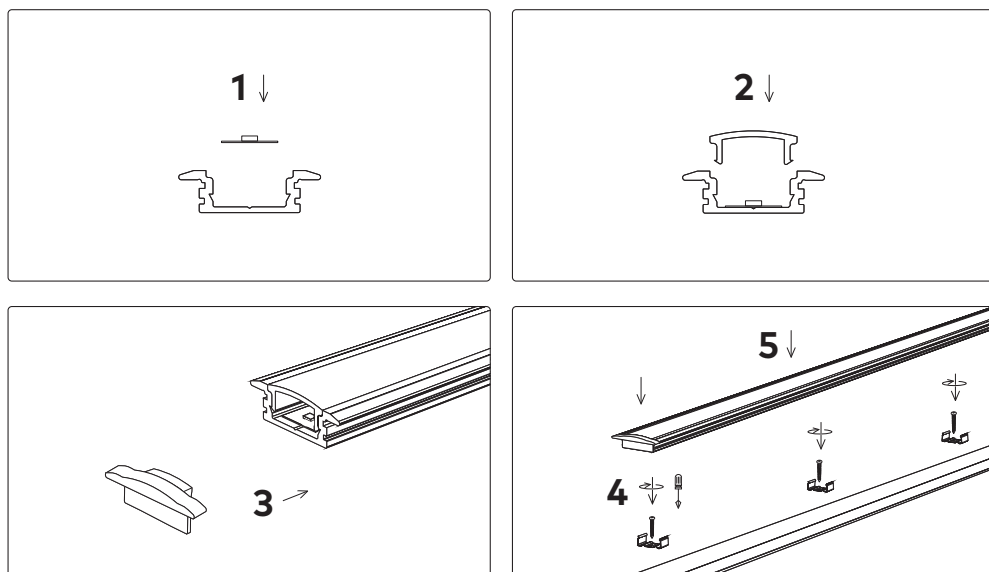
CAUTION
Contains parts and assemblies susceptible to damage by electrostatic discharge (ESD)



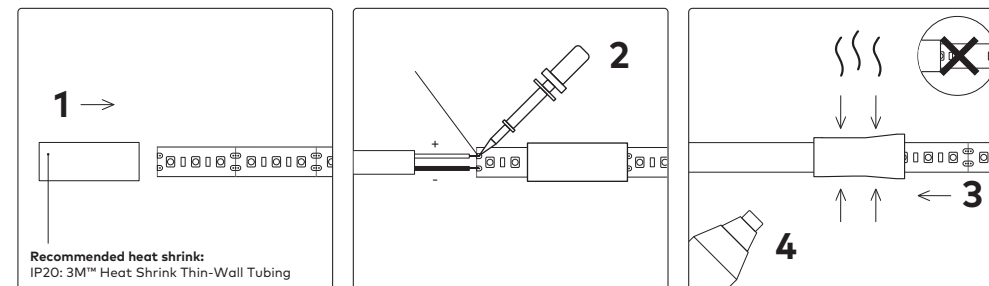
Legacy LS18 Surface Mounted Profile



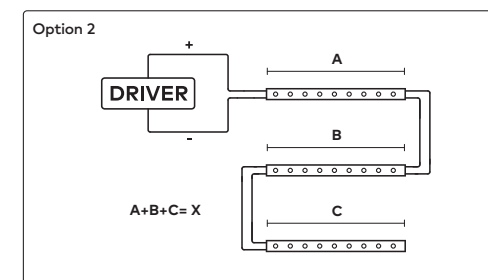
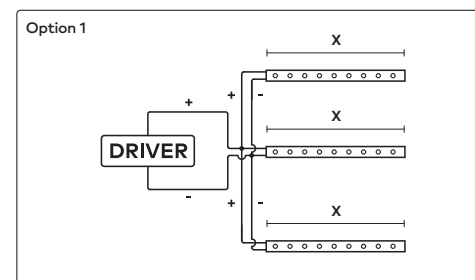
Legacy LR25 Recessed Profile



Soldering Striplight



Wiring Options



Product Code	Max. single length run (X)
ECMOXX05	20m
ECMOXX10	10m
ECMOXX15	6.5m
EC60XX10	5m

Dimming

For dimming capabilities, luminaire must be paired with dimmable driver. Please refer to driver's instructions for pairing of suitable systems.