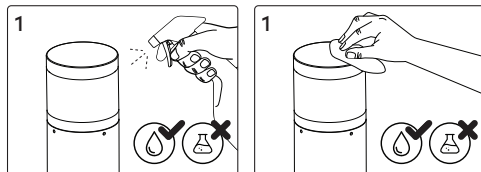


Cleaning

Warning: Before cleaning, disconnect from mains supply and allow luminaire to cool.



Disposal

Ensure correct disposal of this product (waste electrical and electronic equipment).



Corrosion Protection

It is important to note that care must be taken during installation or maintenance to ensure that the surface of the luminaire is not damaged. Any damage, which is exposed to moisture will result in corrosion occurring.

Please also note that any chemical applications on the luminaire or chemical contact via installation will cause corrosion of the surface of the luminaire and will void the warranty.

Ambient Conditions

Recommended to install in an ambient temperature <35°C.



Evio

BOLLARD LIGHT

Base Codes (One Direction)	7W 600mm EVIO0607	7W 900mm EVIO0907	20W 600mm EVIO0620	20W 900mm EVIO0920	Power 7 20 Watts
-----------------------------------	-----------------------------	-----------------------------	------------------------------	------------------------------	------------------------------

Base Codes (Two Direction)	7W 600mm EVIT0607	7W 900mm EVIT0907	20W 600mm EVIT0620	20W 900mm EVIT0920
-----------------------------------	-----------------------------	-----------------------------	------------------------------	------------------------------

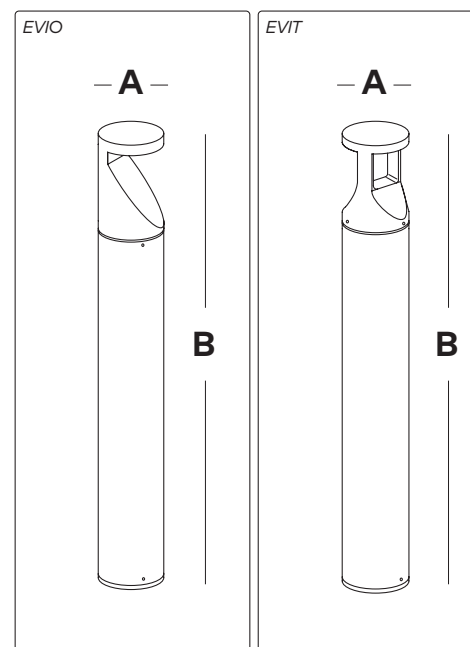
	Class I 220-240 V ~ 50/60Hz	IP Rating 65	Material Aluminium	Install Person/s 1x				
--	---------------------------------------	------------------------	------------------------------	-------------------------------	--	--	--	--

CAUTION – This product must be installed by a qualified installer
Please read instruction manual carefully before installing luminaire

Surge Protection
For comprehensive protection of a luminaire against electrical surges, surge protection shall be installed on the mains supply where required to protect luminaires and drivers from transient voltage damage.

For warranty information visit unios.com/warranty

Please read these installation instructions carefully before installing this product. This product must be installed and maintained by a suitably qualified person/s in compliance with the latest applicable regulations and relevant legislation. Unios does not warrant any claim based on defects or damage caused by misuse, improper installation, improper operation and/or modifications carried out by the purchaser or third parties. This product shall not be used as a 'working light' during construction. This will result in the warranty of the product to be void. For warranty duration, please refer to the data sheet.



Sizing Variations

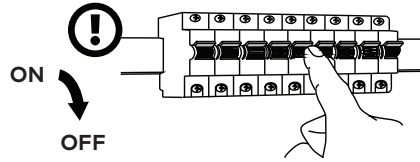
Product Code	A	B
EVIO0607/EVIT0607	Ø 80	600
EVIO0907/EVIT0907	Ø 80	900
EVIO0620/EVIT0620	Ø 115	600
EVIO0920/EVIT0920	Ø 115	900

All measurements are in millimetres.

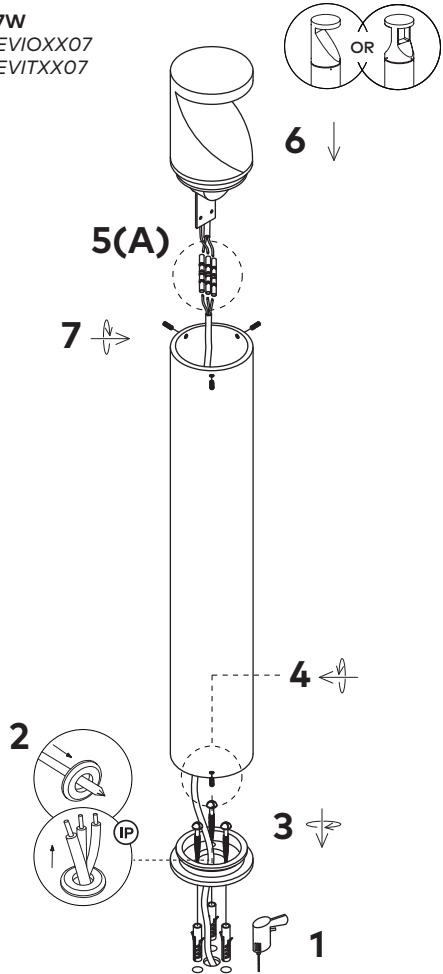
Parts

 1x Allen Key for 7W	OR	 2x Allen Key for 20W	 3x Heatshrink Solder Joiners
 3x Screws w/ plugs for 7W	OR	 3x Dynabolts for 20W	

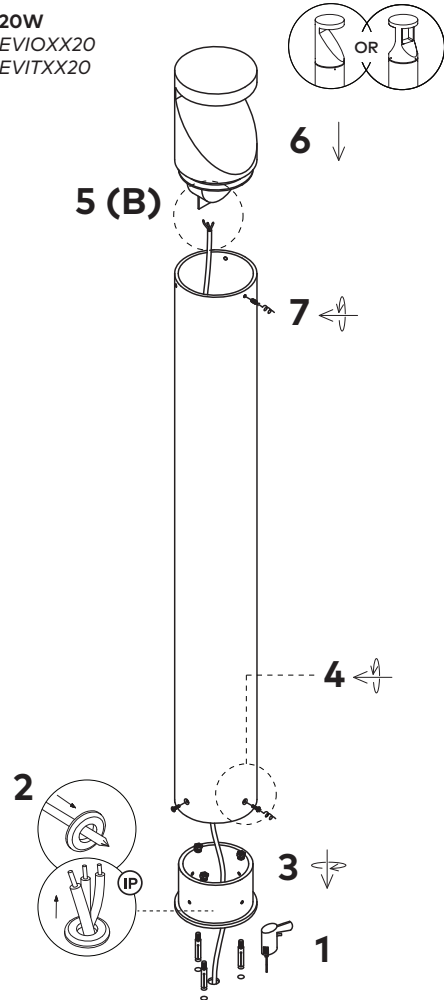




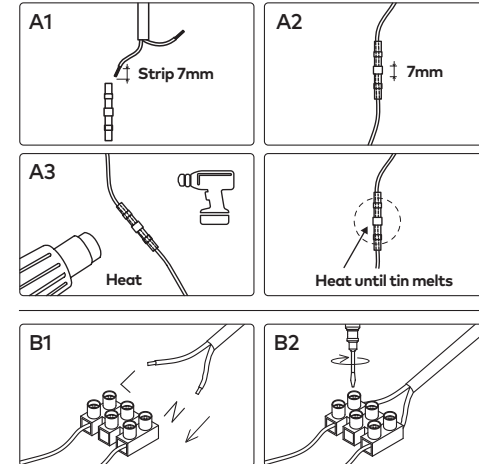
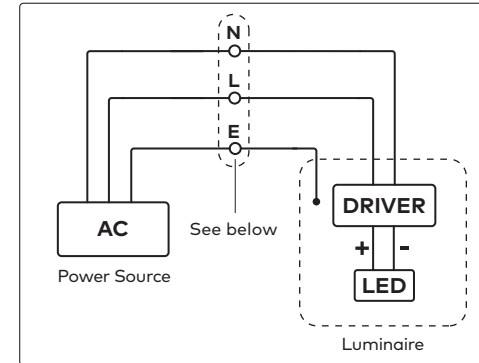
7W
EVI0XX07
EVITXX07



20W
EVI0XX20
EVITXX20



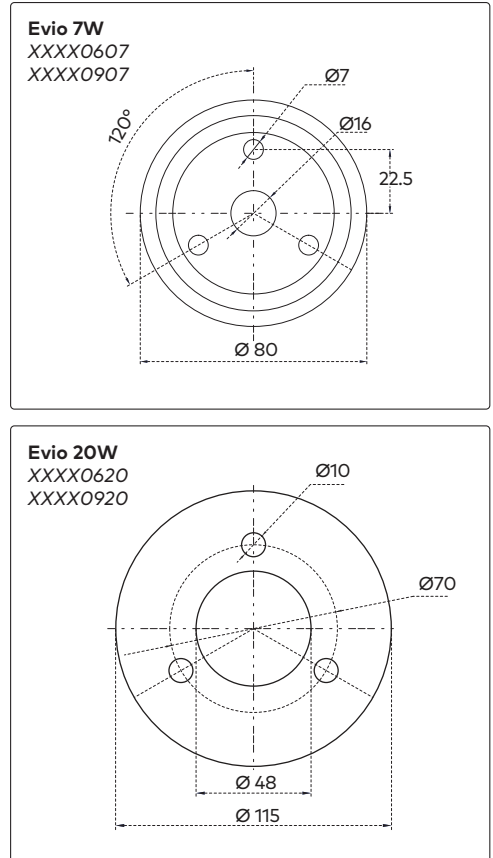
Wiring



Driver Selection

Product Code	Output Power	Driving Current	Forward Voltage
EVI00607/EVIT0607	7W	200mA	11-13V
EVI00907/EVIT0907	7W	200mA	11-13V
EVI00620/EVIT0620	20W	600mA	35-37V
EVI00920/EVIT0920	20W	600mA	35-37V

Mounting Plate



Dimming

Standard model is non-dimmable. If dimmable model has been supplied (1-10V or DALI), please refer to driver specification to determine suitable control system.

