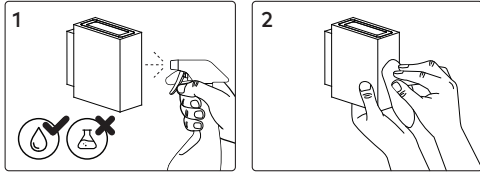


Cleaning

Warning: Before cleaning, disconnect from mains supply and allow luminaire to cool.



Disposal

Ensure correct disposal of this product (waste electrical and electronic equipment).



Corrosion Protection

It is important to note that care must be taken during installation or maintenance to ensure that the surface of the luminaire is not damaged. Any damage, which is exposed to moisture will result in corrosion occurring.

Please also note that any chemical applications on the luminaire or chemical contact via installation will cause corrosion of the surface of the luminaire and will void the warranty.

Ambient Conditions

Recommended to install in an ambient temperature <35°C.



Helix

WALL LIGHT

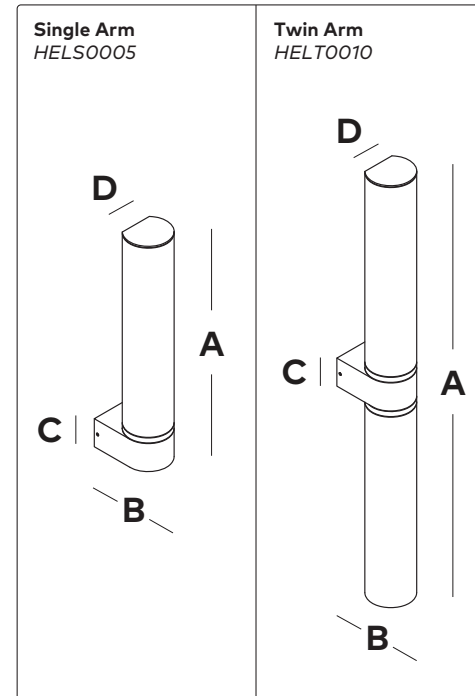
Base Codes	Helix Single Arm HELS0005	Helix Twin Arm HELT0010	Power 5 10 Watts
	Class I 220-240V - 50/60Hz	IP Rating 44	Material Aluminium
	Install Person/s 1x		

CAUTION – This product must be installed by a qualified installer
Please read instruction manual carefully before installing luminaire

Surge Protection
For comprehensive protection of a luminaire against electrical surges, surge protection shall be installed on the mains supply where required to protect luminaires and drivers from transient voltage damage.

For warranty information visit unios.com/warranty

Please read these installation instructions carefully before installing this product. This product must be installed and maintained by a suitably qualified person/s in compliance with the latest applicable regulations and relevant legislation. Unios does not warrant any claim based on defects or damage caused by misuse, improper installation, improper operation and/or modifications carried out by the purchaser or third parties. This product shall not be used as a 'working light' during construction. This will result in the warranty of the product to be void. For warranty duration, please refer to the data sheet.

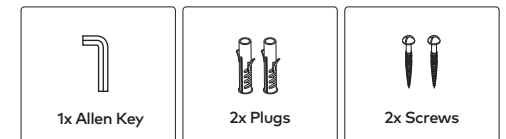


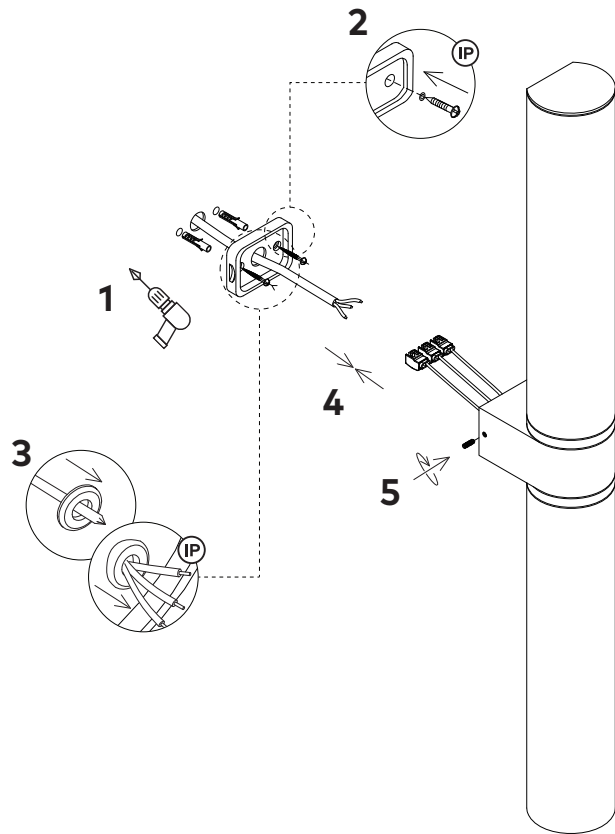
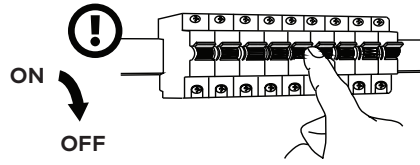
Sizing Variations

Product Code	A	B	C	D
HELS0005	362	100	45	68
HELT0010	685	100	45	68

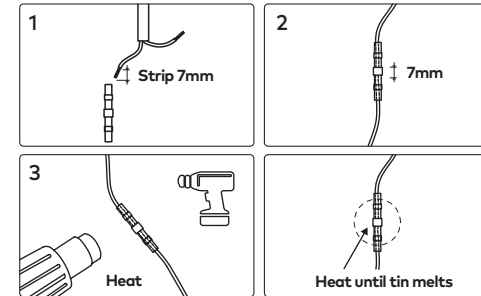
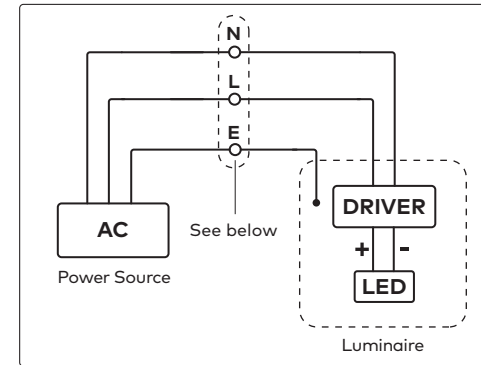
All measurements are in millimetres.

Parts

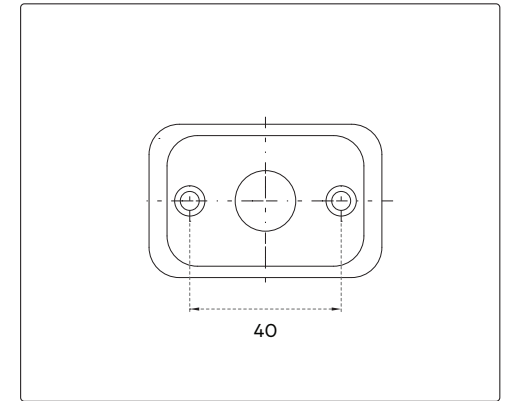




Wiring



Mounting Plate



All measurements are in millimetres.

Driver Compatibility

Product Code	Output Power	Driving Current	Typical Vf
HELS0005	5W	400mA	11-13V
HELT0010	10W	400mA	23-25V

Luminaire to be paired with Unios or Unios approved driver.

Dimming

This luminaire can not be dimmed.
Specific DALI option available.

