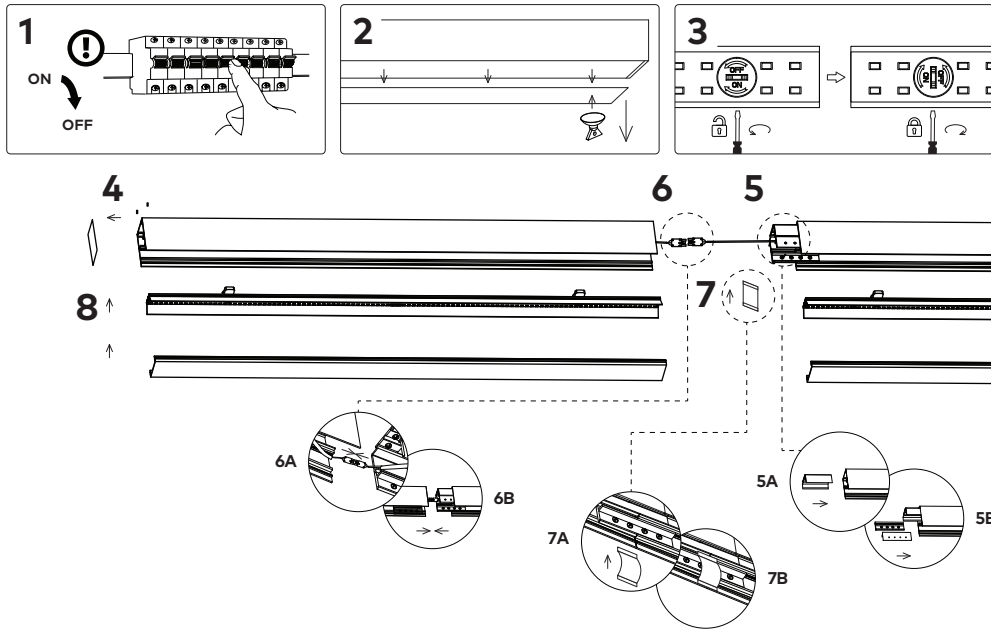
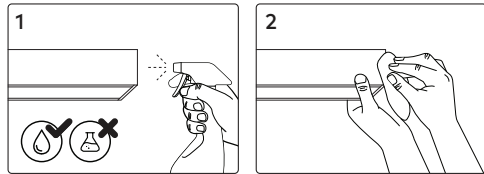


Modular Connect System Installation



Cleaning

Warning: Before cleaning, disconnect from mains supply and allow luminaire to cool.



Corrosion Protection

It is important to note that care must be taken during installation or maintenance to ensure that the surface of the luminaire is not damaged. Any damage, which is exposed to moisture will result in corrosion occurring.

Please also note that any chemical applications on the luminaire or chemical contact via installation will cause corrosion of the surface of the luminaire and will void the warranty.

Disposal

Ensure correct disposal of this product (waste electrical and electronic equipment)



LX S62 / B62 / S78 / B78

LINEAR LIGHT

Base Codes	Direct LXSDXXXX	Direct/Indirect LXSIXXXX	Baffle Direct LXBDXXXX	Baffle Direct/Indirect LXBIXXXX	Power 15 - 60 Watts
	Class I 220-240V - 50/60Hz	IP Rating 40	Material Aluminium	Install Person/s 1-2	

CAUTION - This product must be installed by a qualified installer
Please read instruction manual carefully before installing luminaire

Surge Protection
For comprehensive protection of a luminaire against electrical surges, surge protection shall be installed on the mains supply where required to protect luminaires and drivers from transient voltage damage.

For warranty information visit unios.com/warranty

Please read these installation instructions carefully before installing this luminaire. This product must be installed and maintained by a suitably qualified person/s in compliance with the latest applicable regulations and relevant legislation.

Unios does not warrant any claim based on defects or damage caused by misuse, improper installation, improper operation and/or modifications carried out by the purchaser or third parties. This luminaire will not be used as a 'Working light' during construction. This will result in the warranty of the luminaire to be void. For warranty duration, please refer to the data sheet.

ESD Protection

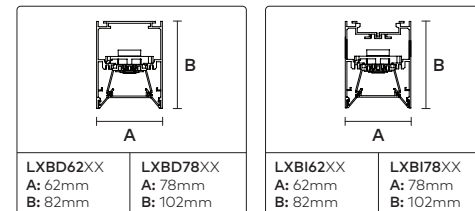
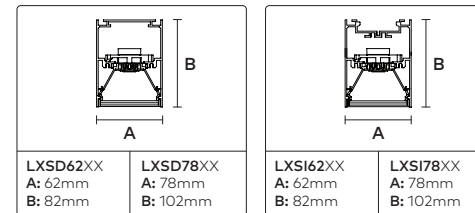
When Handling this product, care must be taken so that the LED board is not damaged. Damage due to inappropriate handling is not covered by warranty.

The following precautions **must** be taken:

- Ensure device is switched off and disconnected from power supply.
- During assembly/disassembly, care must be taken during handling of LED tray inside.
- Always ensure to discharge yourself of all charge by touching a grounded bare metal surface or approved anti-static mat before working on device.



CAUTION
Contains parts and assemblies susceptible to damage by electrostatic discharge (ESD)

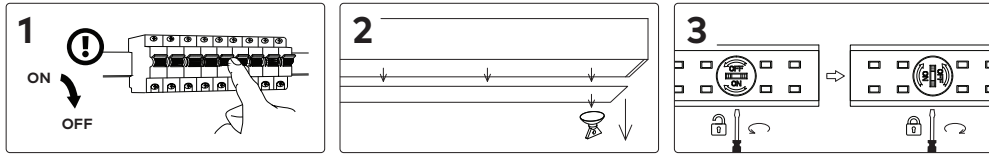


Sizing Variations

Product Code	Nominal Length	Nominal Power	
		Direct	Indirect
LXXXXX05	573mm	15W	7W
LXXXXX08	873mm	22W	11W
LXXXXX11	1133mm	30W	15W
LXXXXX14	1413mm	38W	19W
LXXXXX16	1693mm	45W	22W
LXXXXX19	1973mm	52W	26W
LXXXXX22	2253mm	60W	30W

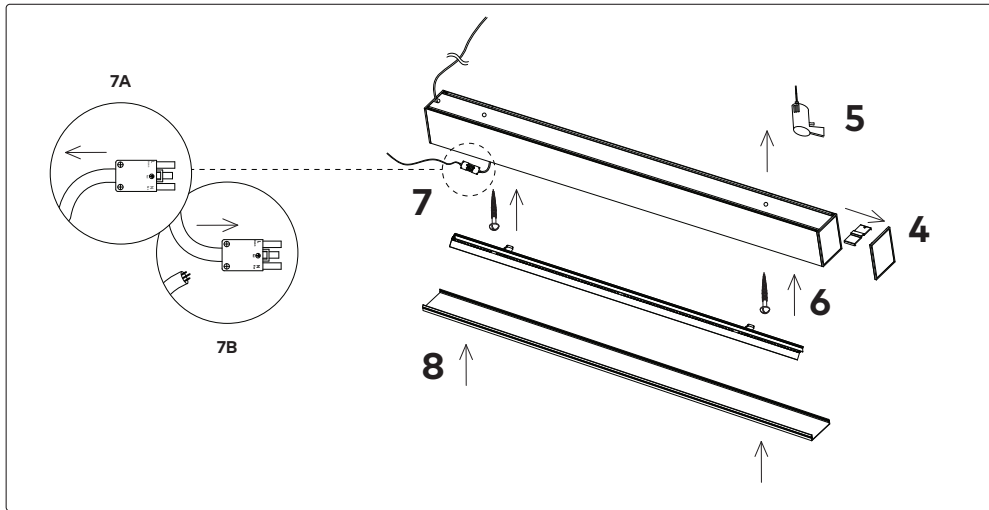
Length measurements include 2x 3mm end caps.
Nominal power listed applies for standard models only.
It is recommended to check length on site before installation.
For custom products, please refer to the product label.





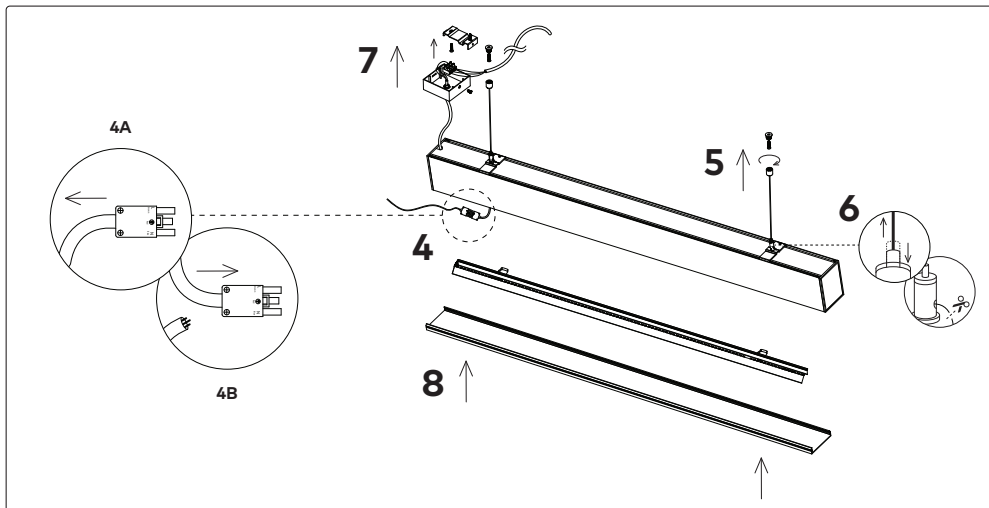
Surface Mounted LXSDXXXX, LXBDXXXX

Standard installation

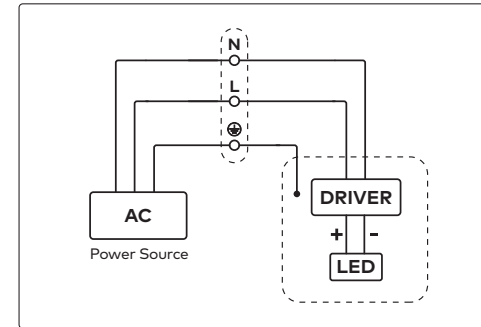


Suspended LXSDXXXX, LXSIXXXX, LXBDXXXX, LXBIXXXX

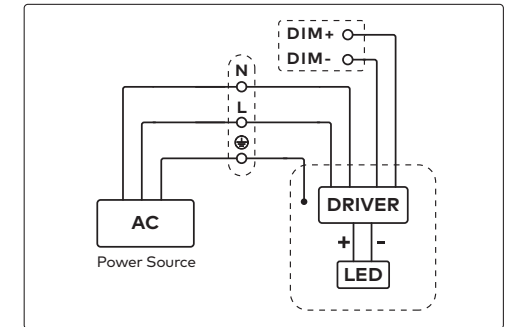
Suspension Kit is supplied as an additional accessory



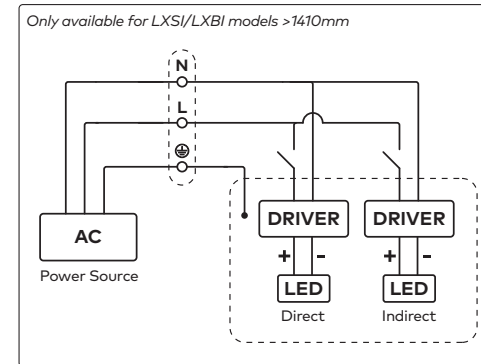
Single Switch Wiring (Non-Dim)



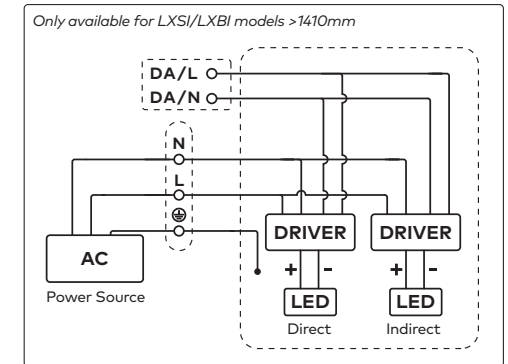
Single Switch Wiring (Dim)



Dual Switch Wiring (Non-Dim)



Dual Switch Wiring (DALI)



Dimming

Standard model is non-dimmable. If dimmable model has been supplied (1-10V or DALI), please refer to driver specification to determine suitable control system.

Additional Accessories

<p>Straight Connector Kit (LXSXXXSC)</p>	<p>2x Joiner Tab (LX019, LX020)</p>	<p>15W 90° Connector (LXSXXXLC)</p>
<p>2x 3m Suspended Wire Kit (LXSK2P30.AC)</p>	<p>Canopy Kit 3 Core Non-Dim (LXCCK3C30.XXAC)</p>	<p>Canopy Kit 5 Core DALI/1-10V (LXCCK5C30.XXAC)</p>

