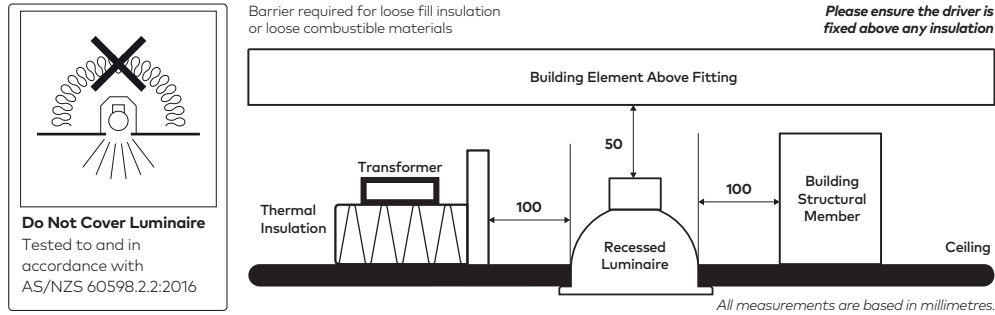


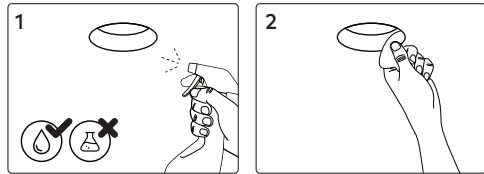
Minimum clearance for luminaire

ⓘ **Risk of Fire** – Required clearance from structure members and building elements. Details below:



Cleaning

Warning: Before cleaning, disconnect from mains supply and allow luminaire to cool.



Disposal

Ensure correct disposal of this product (waste electrical and electronic equipment).



Corrosion Protection

It is important to note that care must be taken during installation or maintenance to ensure that the surface of the luminaire is not damaged. Any damage, which is exposed to moisture will result in corrosion occurring.

Please also note that any chemical applications on the luminaire or chemical contact via installation will cause corrosion of the surface of the luminaire and will void the warranty.

Ambient Conditions

Recommended to install in an ambient temperature <35°C.



Mirage

WALLWASHER

Base Codes	MW110 MIRW0110	MW162 MIRW0162	Power 13 – 36 Watts
	Class III Luminaire only	IP Rating 20	Material Aluminium
	Install Person/s 1x		

ⓘ **CAUTION** – This product must be installed by a qualified installer
Please read instruction manual carefully before installing luminaire

Surge Protection
For comprehensive protection of a luminaire against electrical surges, surge protection shall be installed on the mains supply where required to protect luminaires and drivers from transient voltage damage.

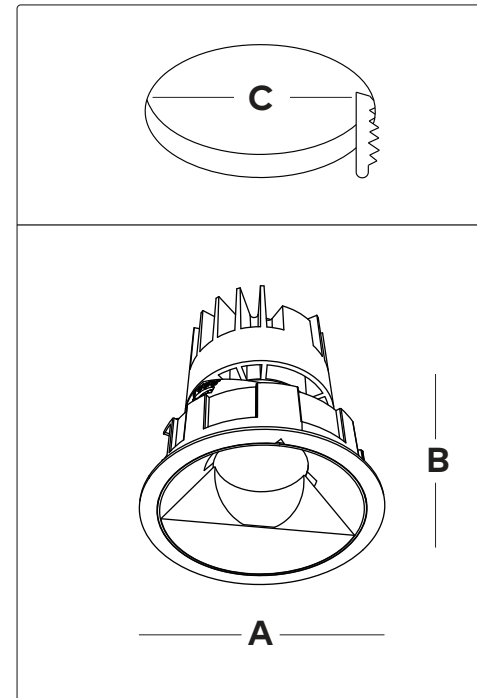
For warranty information visit unios.com/warranty

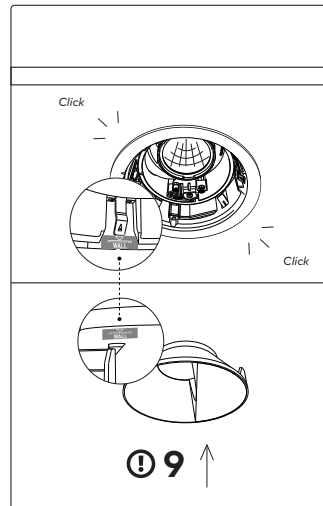
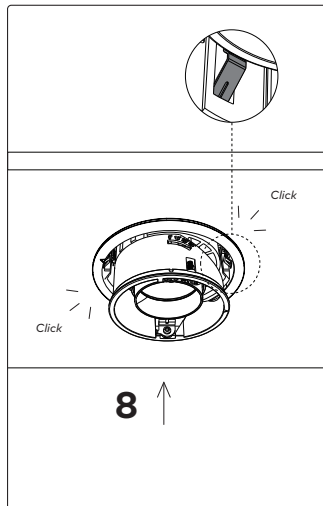
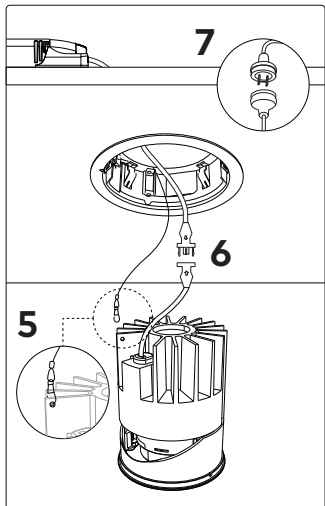
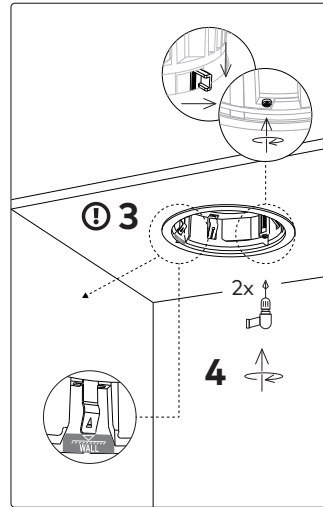
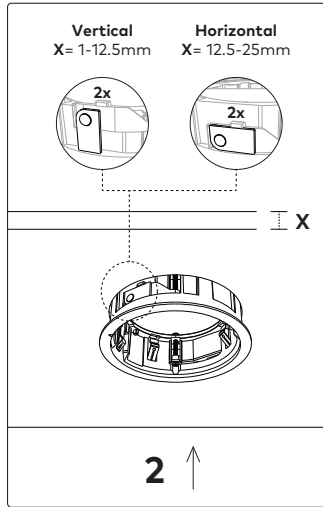
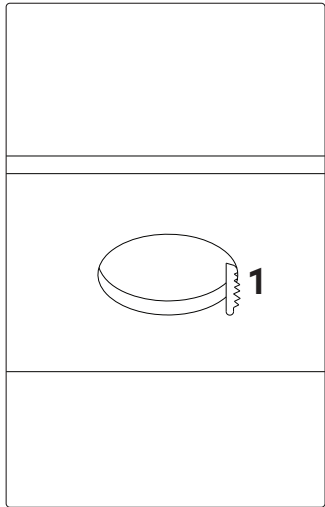
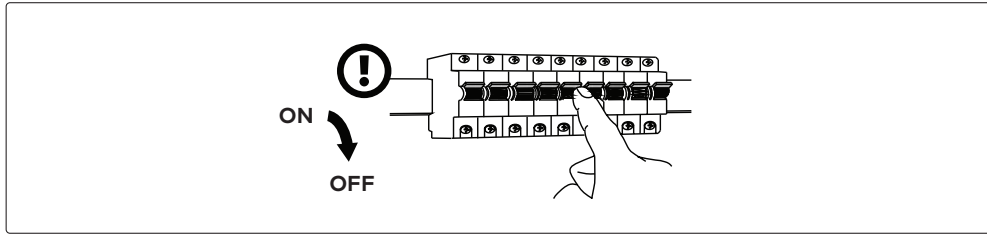
Please read these installation instructions carefully before installing this product. This product must be installed and maintained by a suitably qualified person/s in compliance with the latest applicable regulations and relevant legislation. Unios does not warrant any claim based on defects or damage caused by misuse, improper installation, improper operation and/or modifications carried out by the purchaser or third parties. This product shall not be used as a 'working light' during construction. This will result in the warranty of the product to be void. For warranty duration, please refer to the data sheet.

Sizing Variations

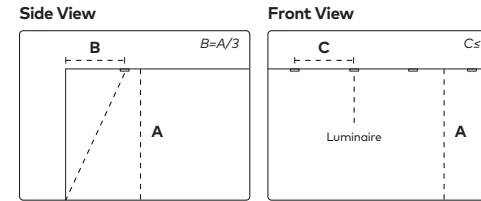
Product Code	A	B	C
MIRW0110	110	128	100
MIRW0162	162	190	150

All measurements are in millimetres.





Spacing Recommendation

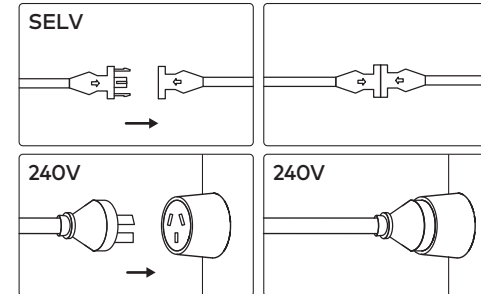
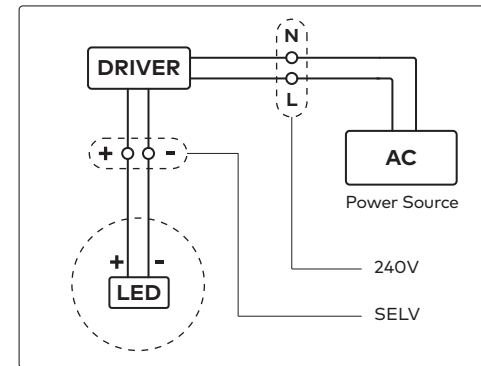


For more details see unios.com/miragespacing

Luminaire Compatibility

Product Code	Output Power	Driving Current	Forward Voltage
MIRW0110	13W	350mA	32-38V
	18W	500mA	
MIRW0162	25W	700mA	32-38V
	36W	1000mA	

Wiring



Dimming

This luminaire can be dimmed. Unios® recommends a phase-cut dimmer or DALI solution optimised for LED technology.

For full list of compatible drivers, see unios.com

