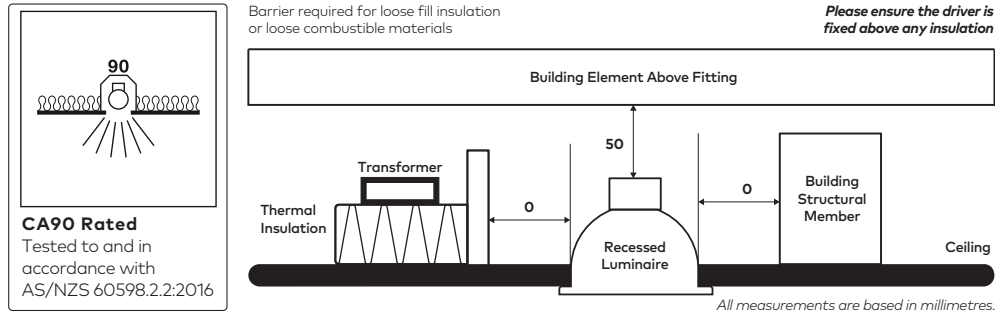


Minimum clearance for luminaire

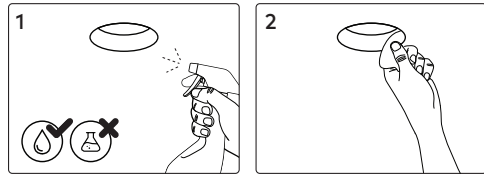
ⓘ **Risk of Fire** – Required clearance from structure members and building elements. Details below:



CA90 Rated
Tested to and in accordance with AS/NZS 60598.2.2:2016

Cleaning

Warning: Before cleaning, disconnect from mains supply and allow luminaire to cool.



Disposal

Ensure correct disposal of this product (waste electrical and electronic equipment).



Corrosion Protection

It is important to note that care must be taken during installation or maintenance to ensure that the surface of the luminaire is not damaged. Any damage, which is exposed to moisture will result in corrosion occurring.

Please also note that any chemical applications on the luminaire or chemical contact via installation will cause corrosion of the surface of the luminaire and will void the warranty.

Ambient Conditions

Recommended to install in an ambient temperature <35°C.



Quantum

SLOTTER LIGHT

Base Codes	Single GENE1717	Double GENE1732	Triple GENE1746	Quadruple GENE3838	Power 28 - 140 Watts
	Class III Luminaire only	IP Rating 20	Material Aluminium	Install Person/s 1x	

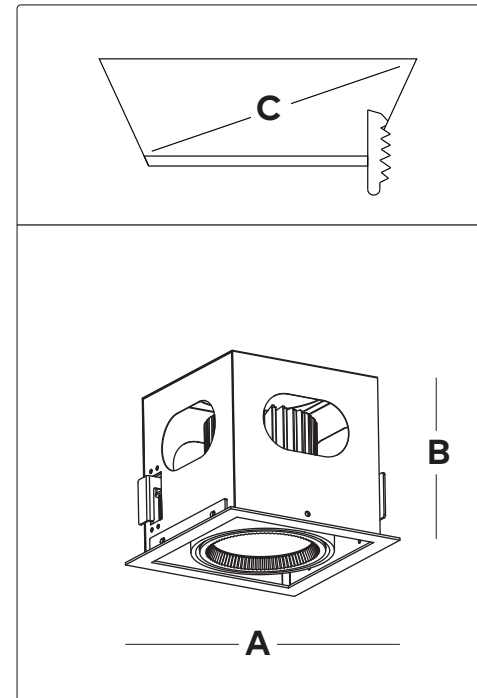
ⓘ **CAUTION** – This product must be installed by a qualified installer
Please read instruction manual carefully before installing luminaire

Surge Protection
For comprehensive protection of a luminaire against electrical surges, surge protection shall be installed on the mains supply where required to protect luminaires and drivers from transient voltage damage.

For warranty information visit unios.com/warranty

Please read these installation instructions carefully before installing this product. This product must be installed and maintained by a suitably qualified person/s in compliance with the latest applicable regulations and relevant legislation.

Unios does not warrant any claim based on defects or damage caused by misuse, improper installation, improper operation and/or modifications carried out by the purchaser or third parties. This product shall not be used as a 'working light' during construction. This will result in the warranty of the product to be void. For warranty duration, please refer to the data sheet.

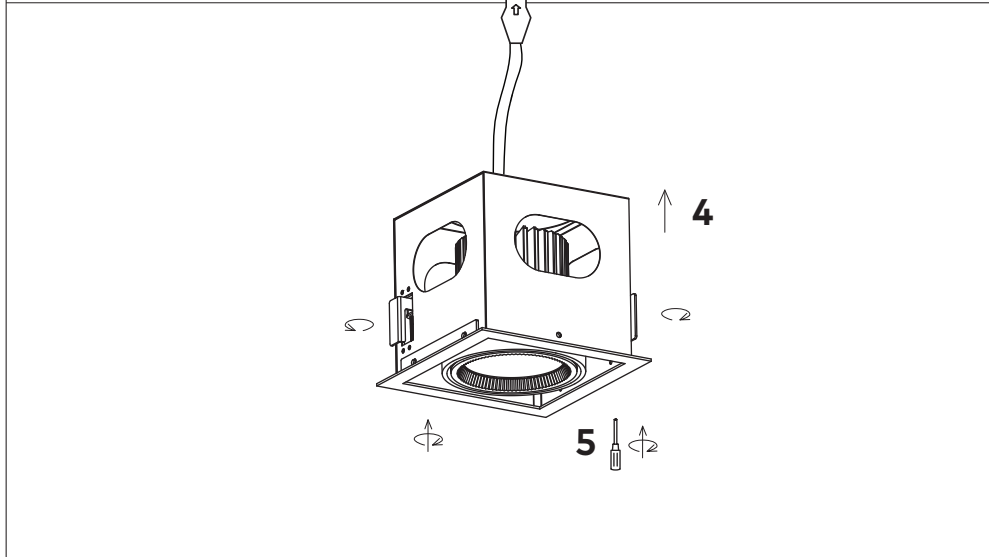
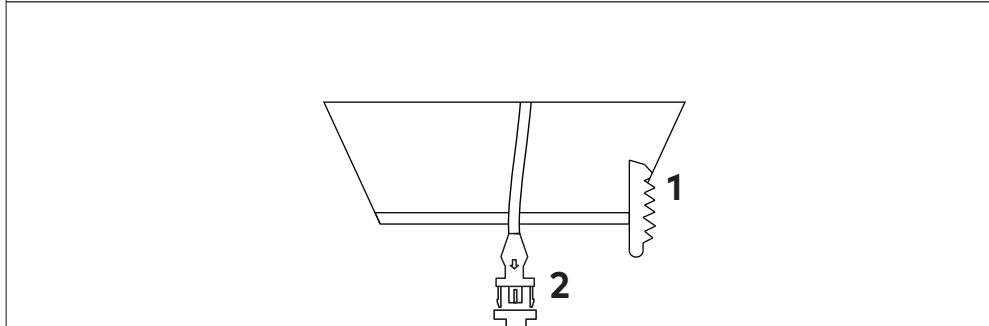
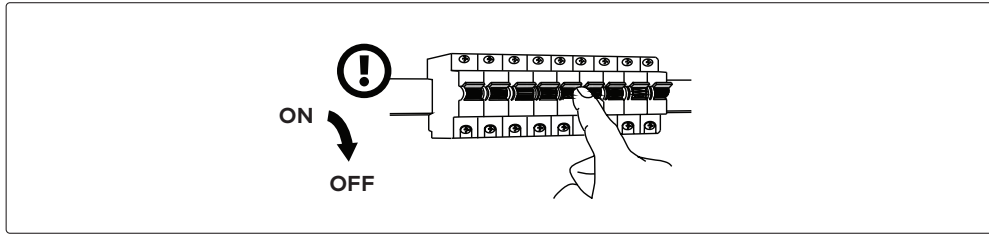


Sizing Variations

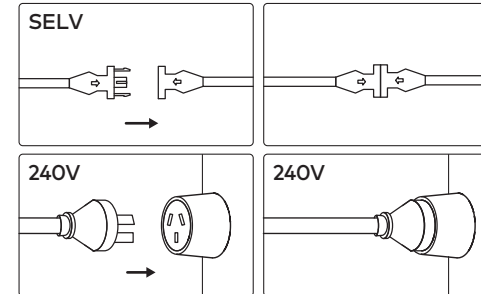
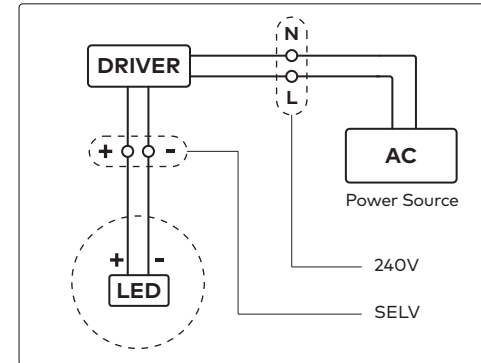
Product Code	A	B	C
GENE1717	168x168	147	155x155
GENE1732	322x168	147	310x155
GENE1746	464x168	147	452x155
GENE3838	385x385	148	365x365
GEN71717	168x168	147	155x155
GEN71732	322x168	147	310x155
GEN71746	464x168	147	452x155
GEN73838	385x385	148	365x365

All measurements are in millimetres.





Wiring



Dimming

This luminaire can be dimmed. Unios® recommends a phase-cut dimmer or DALI solution optimised for LED technology.

For full list of compatible drivers, see unios.com

Luminaire Compatibility

Product Code	Output Power	Driving Current	Forward Voltage
GENE1717/ GEN71717	28W	700mA	36-38V
	35W	900mA	36-38V
GENE1732/ GEN71732	2x 28W	2x 700mA	36-38V
	2x 35W	2x 900mA	36-38V
GENE1746/ GEN71746	3x 28W	3x 700mA	36-38V
	3x 35W	3x 900mA	36-38V
GENE3838/ GEN73838	4x 28W	4x 700mA	36-38V
	4x 35W	4x 900mA	36-38V