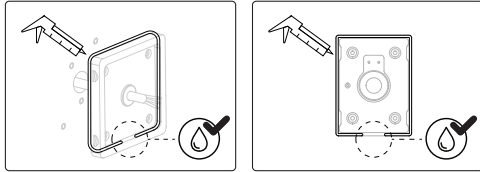


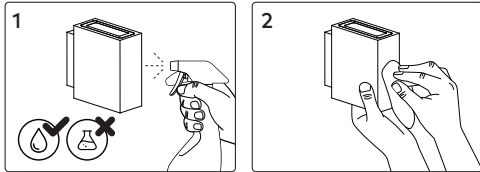
IP65/66 Installations

To ensure a complete seal around the mounting area, an exterior grade caulk must be used around the perimeter of the back of the mounting plate. **Do not caulk bottom of mounting plate to ensure sufficient drainage.**



Cleaning

Warning: Before cleaning, disconnect from mains supply and allow luminaire to cool.



Disposal

Ensure correct disposal of this product (waste electrical and electronic equipment).



Corrosion Protection

It is important to note that care must be taken during installation or maintenance to ensure that the surface of the luminaire is not damaged. Any damage, which is exposed to moisture will result in corrosion occurring.

Please also note that any chemical applications on the luminaire or chemical contact via installation will cause corrosion of the surface of the luminaire and will void the warranty.

Ambient Conditions

Recommended to install in an ambient temperature <35°C.



Vespa G2

WALL LIGHT

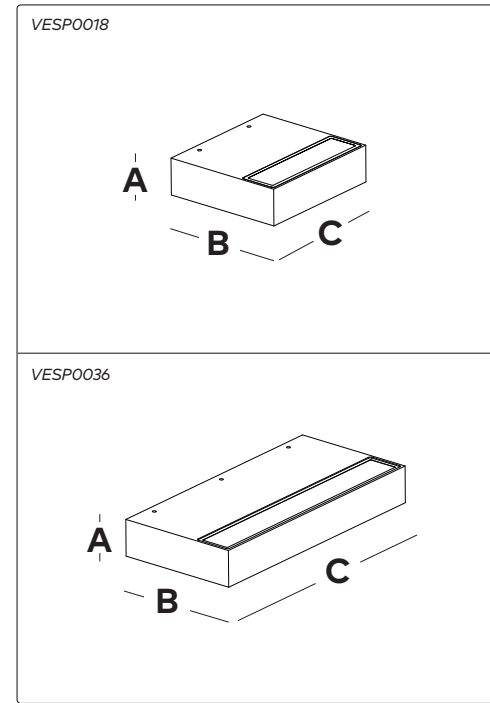
Base Codes	Small VESPO018	Large VESPO036	Power 18 36 Watts
	Class I 220-240V - 50/60Hz	IP Rating 65	Material Aluminium
	Install Person/s 1x		

CAUTION – This product must be installed by a qualified installer
Please read instruction manual carefully before installing luminaire

Surge Protection
For comprehensive protection of a luminaire against electrical surges, surge protection shall be installed on the mains supply where required to protect luminaires and drivers from transient voltage damage.

For warranty information visit unios.com/warranty

Please read these installation instructions carefully before installing this product. This product must be installed and maintained by a suitably qualified person/s in compliance with the latest applicable regulations and relevant legislation. Unios does not warrant any claim based on defects or damage caused by misuse, improper installation, improper operation and/or modifications carried out by the purchaser or third parties. This product shall not be used as a 'working light' during construction. This will result in the warranty of the product to be void. For warranty duration, please refer to the data sheet.

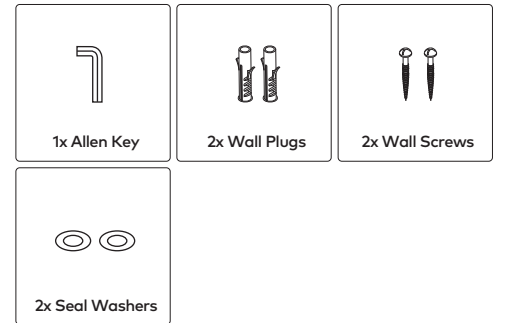


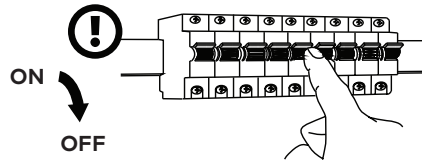
Sizing Variations

Product Code	A	B	C
VESPO018	47	156	173
VESPO036	47	156	332

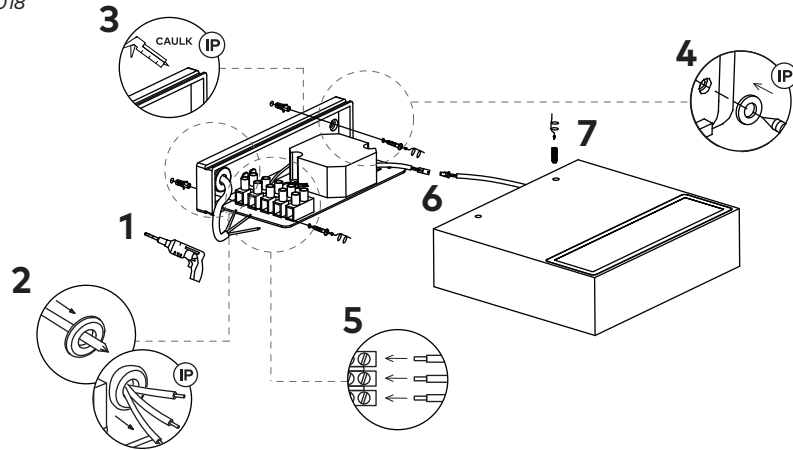
All measurements are in millimetres.

Parts

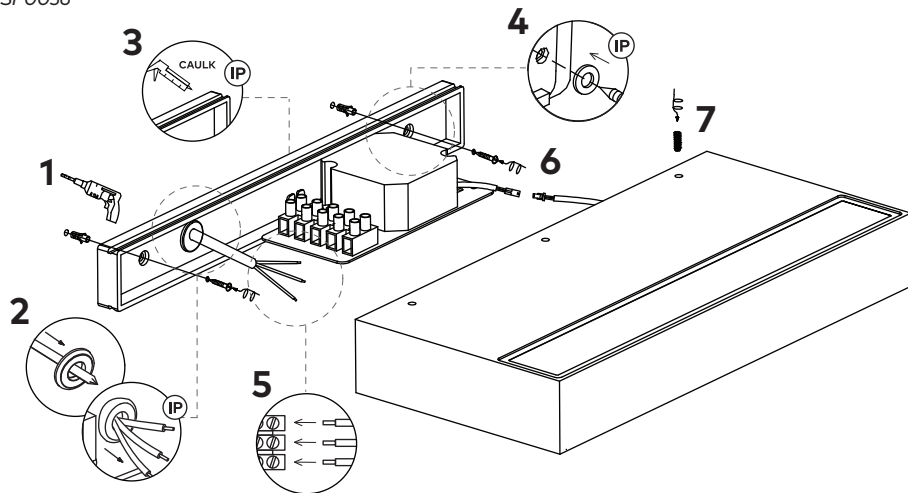




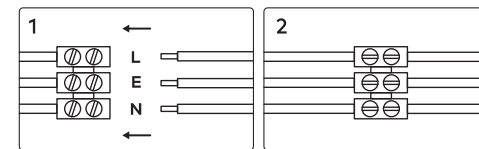
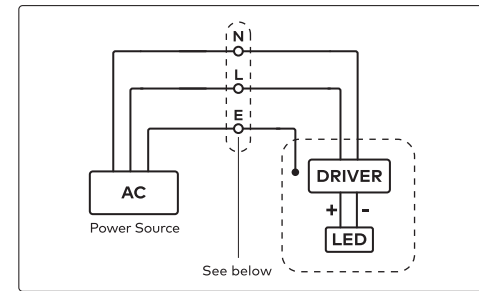
VESPO018



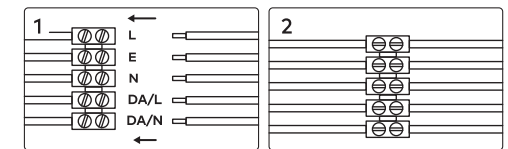
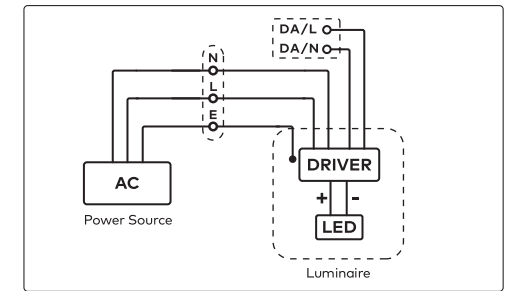
VESPO036



Wiring



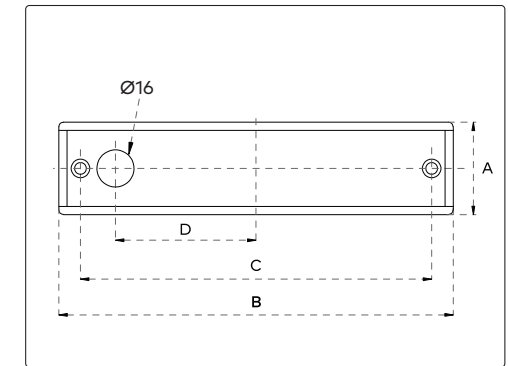
Wiring (Built-in DALI)



Driver Compatibility

Product Code	Output Power	Driving Current	Forward Voltage
VESPO018	18W	500mA	36-38V
VESPO036	36W	1000mA	36-38V

Mounting Plate



Product Code	A	B	C	D
VESPO018	39	169	150	45
VESPO036	39	328	290	-

All measurements are in millimetres.

Dimming

This luminaire can be dimmed. Unios® recommends a phase-cut dimmer or DALI solution optimised for LED technology.

For full list of compatible drivers, see unios.com

