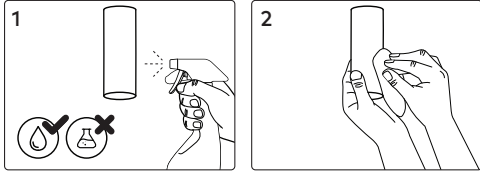


Cleaning

Warning: Before cleaning, disconnect from mains supply and allow luminaire to cool.



Disposal

Ensure correct disposal of this product (waste electrical and electronic equipment).



Corrosion Protection

It is important to note that care must be taken during installation or maintenance to ensure that the surface of the luminaire is not damaged. Any damage, which is exposed to moisture will result in corrosion occurring.

Please also note that any chemical applications on the luminaire or chemical contact via installation will cause corrosion of the surface of the luminaire and will void the warranty.

Ambient Conditions

Recommended to install in an ambient temperature <35°C.



Zeron Mini

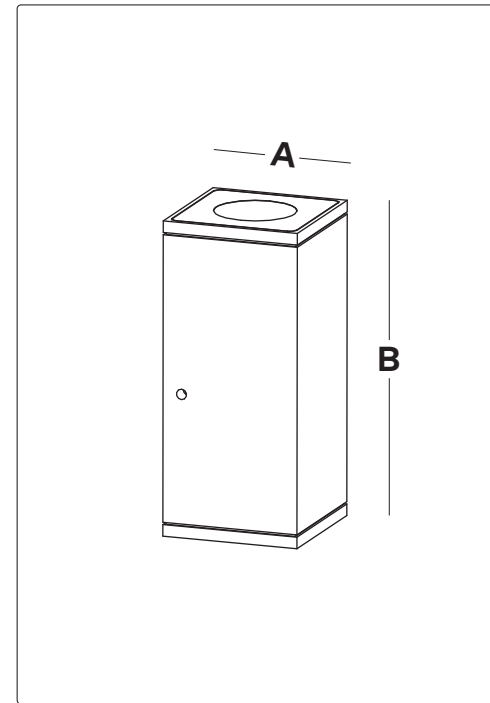
SERIES

Base Codes	Surface Mounted ZMSM0007	Fixed One ZMF10007	Fixed Two ZMF20014	Power 7 12 Watts
	Class I 220–240V – 50/60Hz	IP Rating 65	Material Aluminium	Install Person/s 1x

CAUTION – This product must be installed by a qualified installer
Please read instruction manual carefully before installing luminaire

Surge Protection
For comprehensive protection of a luminaire against electrical surges, surge protection shall be installed on the mains supply where required to protect luminaires and drivers from transient voltage damage.

For warranty information visit unios.com/warranty
Please read these installation instructions carefully before installing this product. This product must be installed and maintained by a suitably qualified person/s in compliance with the latest applicable regulations and relevant legislation. Unios does not warrant any claim based on defects or damage caused by misuse, improper installation, improper operation and/or modifications carried out by the purchaser or third parties. This product shall not be used as a 'working light' during construction. This will result in the warranty of the product to be void. For warranty duration, please refer to the data sheet.



Sizing Variations

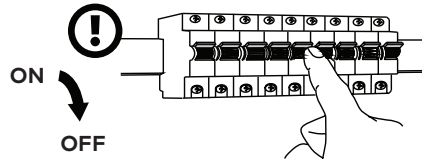
Product Code	A	B
ZMSM0007	60	100
ZMF10007	60	100
ZMF20014	60	150

All measurements are in millimetres.

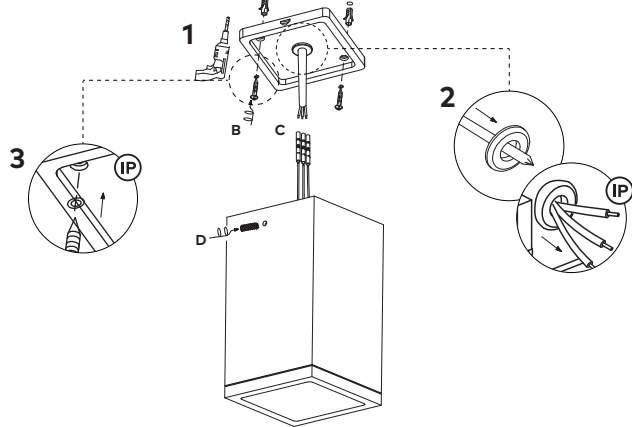
Parts

 1x Allen Key	 2x Wall Plugs	 2x Wall Screws
 2x Seal Washers	 3x Heatshrink Solder Joiners	

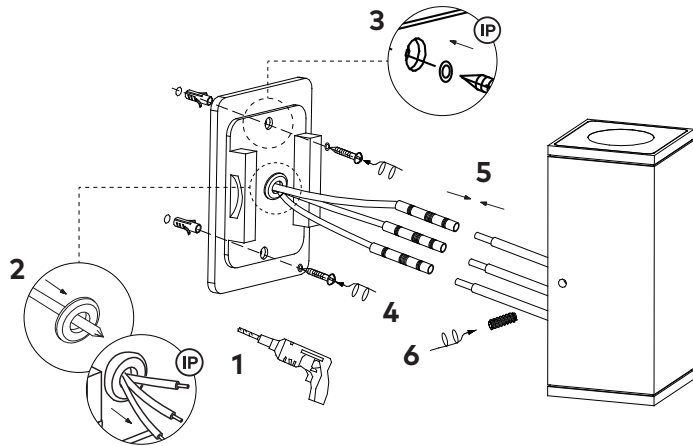




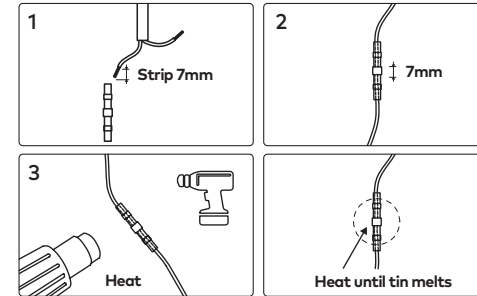
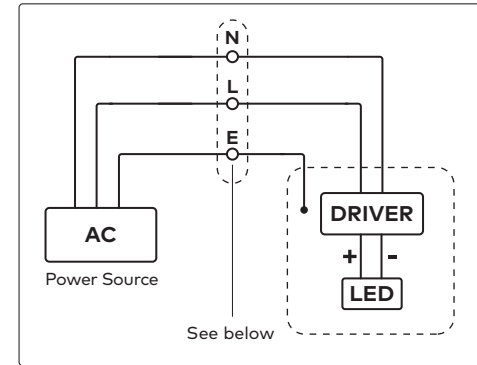
Surface Mounted
ZMSM0007



Wall
ZMF10007
ZMF20014



Wiring



Driver Compatibility

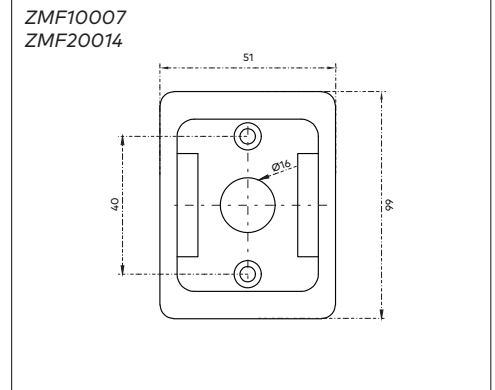
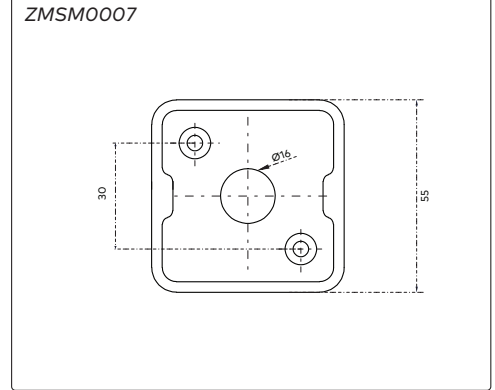
Product Code	Output Power	Driving Current	Forward Voltage
ZMSM0007	7W	700mA	8-10V
ZEF10007	7W	700mA	8-10V
ZEF20014	12W	500mA	17-19V

Dimming

This luminaire can be dimmed. Unios® recommends a phase-cut dimmer optimised for LED technology. For non-standard configurations refer to driver data sheet.

For full list of compatible drivers, see unios.com

Mounting Plate



All measurements are in millimetres.

