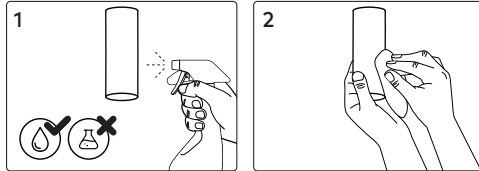


### Cleaning

Warning: Before cleaning, disconnect from mains supply and allow luminaire to cool.



### Disposal

Ensure correct disposal of this product (waste electrical and electronic equipment).



### Corrosion Protection

It is important to note that care must be taken during installation or maintenance to ensure that the surface of the luminaire is not damaged. Any damage, which is exposed to moisture will result in corrosion occurring.

Please also note that any chemical applications on the luminaire or chemical contact via installation will cause corrosion of the surface of the luminaire and will void the warranty.

### Ambient Conditions

Recommended to install in an ambient temperature <35°C.



## Zeron

SERIES

<b>Base Codes</b>	<b>Surface Mounted</b> ZESM0020	<b>Fixed One</b> ZEF10020	<b>Fixed Two</b> ZEF20024	<b>Power</b> 20   24 Watts
	<b>Class I</b> 220–240V – 50/60Hz	<b>IP Rating</b> 65	<b>Material</b> Aluminium	<b>Install Person/s</b> 1x

**CAUTION – This product must be installed by a qualified installer**  
Please read instruction manual carefully before installing luminaire

**Surge Protection**  
For comprehensive protection of a luminaire against electrical surges, surge protection shall be installed on the mains supply where required to protect luminaires and drivers from transient voltage damage.

#### For warranty information visit [unios.com/warranty](http://unios.com/warranty)

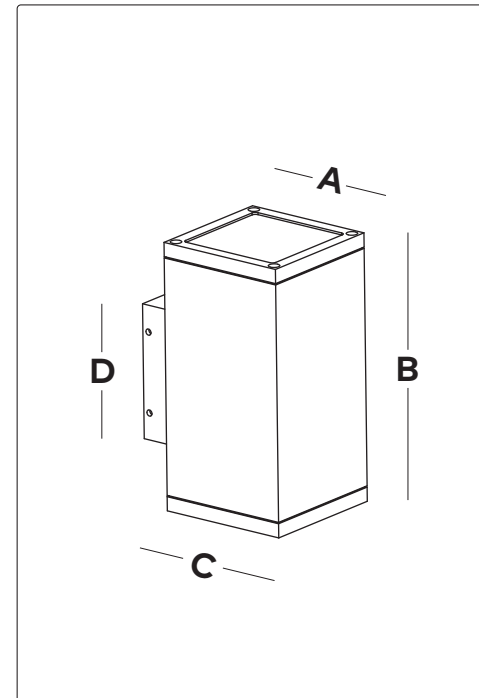
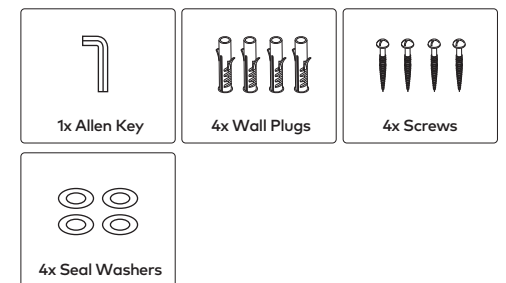
Please read these installation instructions carefully before installing this product. This product must be installed and maintained by a suitably qualified person/s in compliance with the latest applicable regulations and relevant legislation. Unios does not warrant any claim based on defects or damage caused by misuse, improper installation, improper operation and/or modifications carried out by the purchaser or third parties. This product shall not be used as a 'working light' during construction. This will result in the warranty of the product to be void. For warranty duration, please refer to the data sheet.

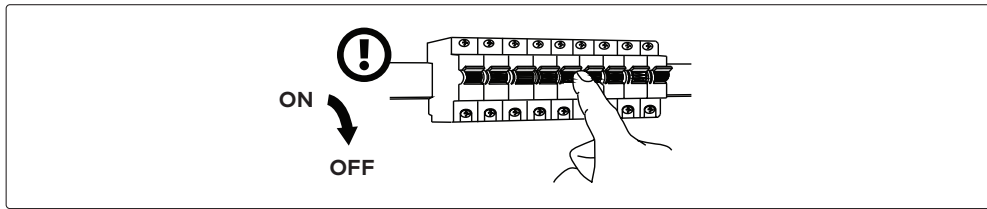
### Sizing Variations

Product Code	A	B	C	D
ZESM0020	100	150	-	-
ZEF10020	100	150	120	100
ZEF20024	100	200	120	100

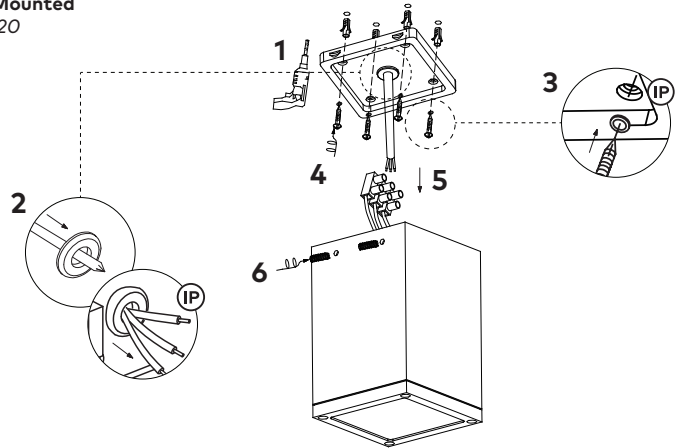
All measurements are in millimetres.

### Parts

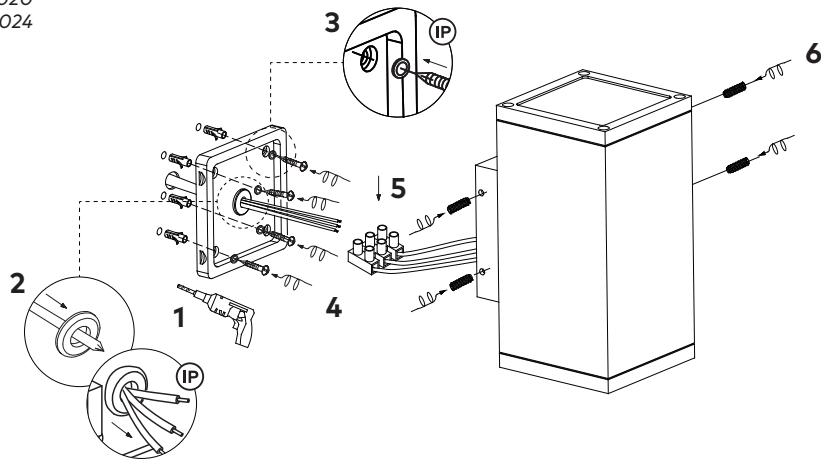




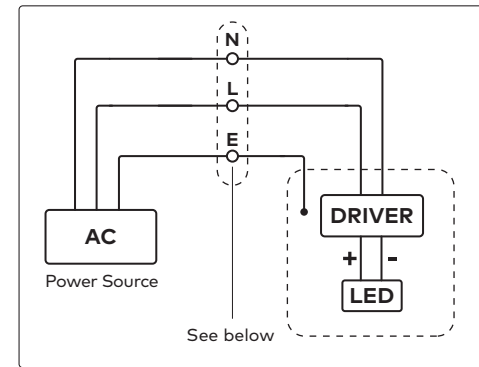
**Surface Mounted**  
ZESM0020



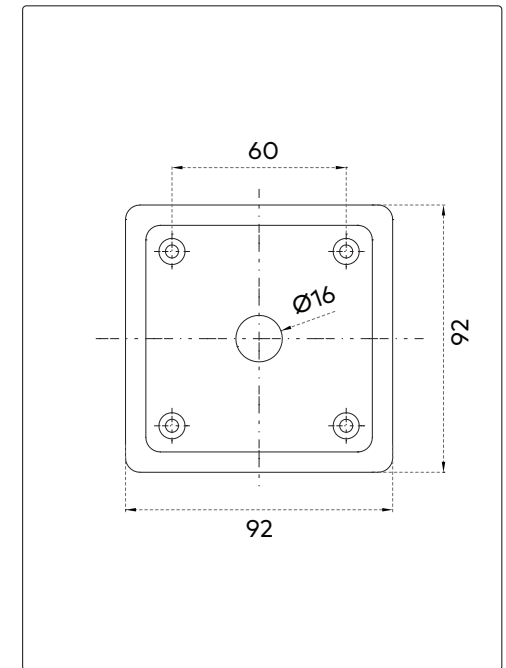
**Wall**  
ZEF10020  
ZEF20024



**Wiring**



**Mounting Plate**



**Driver Compatibility**

Product Code	Output Power	Driving Current	Forward Voltage
ZESM0020	20W	500mA	36-38V
ZEF10020	20W	500mA	36-38V
ZEF20024	24W	500mA	36-38V

**Dimming**

This luminaire can be dimmed. Unios® recommends a phase-cut dimmer optimised for LED technology. For non-standard configurations refer to driver data sheet.

For full list of compatible drivers, see unios.com

All measurements are in millimetres.

